



**POWER
TOOLS**



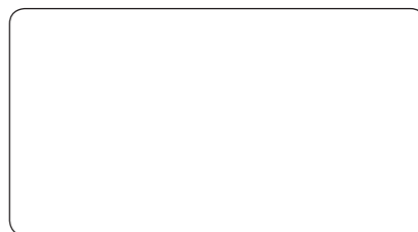
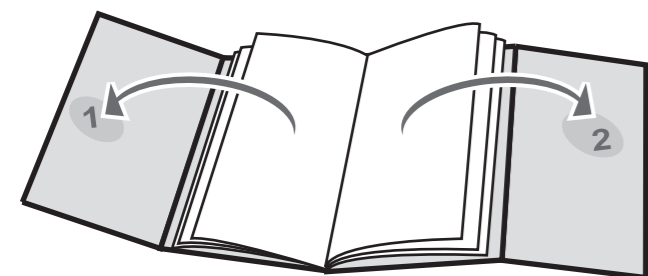
SPARKY

www.sparkygroup.com



PROFESSIONAL

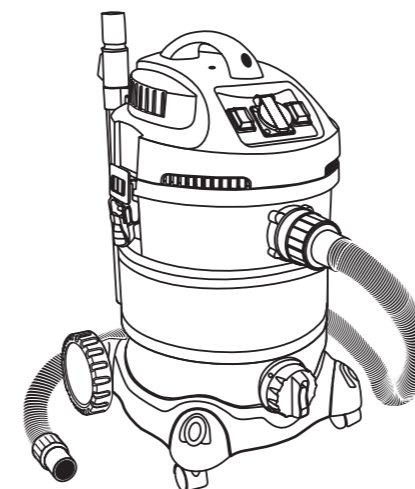
(EN)	WET / DRY VACUUM CLEANER	1 – 8
	Original instructions	
(DE)	NASS / TROCKENSAUGER	9 – 16
	Originalbetriebsanleitung	
(FR)	ASPIRATEUR EAU / POUSSIÈRE	17 – 24
	Notice originale	
(IT)	ASPIRAPOLVERE/ASPIRALIQUIDI	25 – 32
	Istruzioni originali	
(ES)	ASPIRADORA DE LIMPIEZA EN HÚMEDO/SECO	33 – 41
	Instrucciones de uso originales	
(PT)	ASPIRADOR DE LIMPEZA A SECO / MOLHADO	42 – 49
	Instrução original para o uso	
(PL)	ODKURZACZ WARSZTATOWY	50 – 57
	Instrukcja oryginalna	
(RU)	ПЫЛЕСОС ДЛЯ ВЛАЖНОЙ / СУХОЙ ОЧИСТКИ	58 – 66
	Оригинальная инструкция по эксплуатации	
(UK)	ПИЛОСОС ДЛЯ ВОЛОГОГО / СУХОГО ПРИБИРАННЯ	67 – 74
	Оригинальна інструкція з експлуатації	
(BG)	ПРАХОСМУКАЧКА ЗА МОКРО / СУХО ПОЧИСТВАНЕ	75 – 83
	Оригинална инструкция за използване	



www.sparkygroup.com

1207R10

© 2010 SPARKY



1250W

VC 1220M

1400W

VC 1430MS

(EN)

DECLARATION OF CONFORMITY

We declare under our sole responsibility that this product fulfils all the relevant provisions of the following directives and the harmonized standards: 2006/42/EC; 2004/108/EC; 2006/95/EC; 2003/35-1; EN 60335-2-2; EN 62233; EN 55014-1; EN 55014-2; EN 61000-3-2; EN 61000-3-3

Technical file is stored at SPARKY ELTOS AG, Kubrat Str. 9, 5500 Lovetch, Bulgaria.

(DE)

KONFORMITÄTSERKLÄRUNG

Hiermit versichern wir unsere persönliche Haftung, dass dieses Erzeugnis allen einschlägigen Bestimmungen folgender Richtlinien und entsprechender harmonisierter Standards entspricht: 2006/42/EC; 2004/108/EC; 2006/95/EC; EN 60335-1; EN 60335-2-2; EN 62233; EN 55014-1; EN 55014-2; EN 61000-3-2; EN 61000-3-3

Die technischen Unterlagen werden bei SPARKY ELTOS AG, Kubrat Str.9, 5500 Lovetch, Bulgarien, aufbewahrt.

(FR)

DECLARATION DE CONFORMITE

Nous déclarons sous notre responsabilité que ce produit satisfait à l'ensemble des dispositions pertinentes de la présente directives, respectivement aux normes harmonisées: 2006/42/EC; 2004/108/EC; 2006/95/EC; EN 60335-1; EN 60335-2-2; EN 62233; EN 55014-1; EN 55014-2; EN 61000-3-2; EN 61000-3-3

Le dossier technique est conservé par SPARKY ELTOS AD, 9, rue Kubrat, Lovech, Bulgarie.

(IT)

DICHIARAZIONE DI CONFORMITÀ

Noi dichiariamo sotto la nostra personale responsabilità, che questo prodotto è in conformità a tutte le disposizioni pertinenti della presente direttive e norme armonizzate: 2006/42/EC; 2004/108/EC; 2006/95/EC; EN 60335-1; EN 60335-2-2; EN 62233; EN 55014-1; EN 55014-2; EN 61000-3-2; EN 61000-3-3

Il fascicolo tecnico viene custodito presso la SPARKY ELTOS, 5500 Lovech, via Kubrat n. 9, Bulgaria

(ES)

DECLARACIÓN DE CONFORMIDAD

Declaramos bajo nuestra exclusiva responsabilidad que este producto está conforme con todas las disposiciones aplicables de la presente directrices aplicables y las correspondientes normas armonizadas: 2006/42/EC; 2004/108/EC; 2006/95/EC; EN 60335-1; EN 60335-2-2; EN 62233; EN 55014-1; EN 55014-2; EN 61000-3-2; EN 61000-3-3

El expediente técnico está archivado en SPARKY ELTOS SA, C/ Kubrat, 9, 5500 Lovech, Bulgaria.

(PT)

DECLARAÇÃO DE CONFORMIDADE

Declaramos assumindo a nossa responsabilidade pessoal que este produto está conforme com todas as disposições relevantes da presente directrizes aplicáveis e respectivos estandartes harmonizados: 2006/42/EC; 2004/108/EC; 2006/95/EC; EN 60335-1; EN 60335-2-2; EN 62233; EN 55014-1; EN 55014-2; EN 61000-3-2; EN 61000-3-3

O expediente técnico fica guardado na SPARKY ELTOS SA, rua Kubrat, 9, 5500 Lovech, Bulgária

(PL)

DEKLARACJA ZGODNOŚCI

Niniejszym deklarujemy naszą osobistą odpowiedzialnością, że ten produkt spełnia wszystkie odpowiednie postanowienia następujących dyrektyw i harmonizowanych standardów: 2006/42/EC; 2004/108/EC; 2006/95/EC; EN 60335-1; EN 60335-2-2; EN 62233; EN 55014-1; EN 55014-2; EN 61000-3-2; EN 61000-3-3

Teczka techniczna przechowywana jest w SPARKY ELTOS AG, Kubrat Str.9, 5500 Lovetch, Bulgaria

(RU)

ДЕКЛАРАЦИЯ О СООТВЕТСТВИИ

Мы заявляем со всей ответственностью, что данный продукт полностью соответствует всем соответствующим требованиям действующих директив и гармонизированных стандартов: 2006/42/EC; 2004/108/EC; 2006/95/EC; EN 60335-1; EN 60335-2-2; EN 62233; EN 55014-1; EN 55014-2; EN 61000-3-2; EN 61000-3-3

Техническое досье хранится в СПАРКИ ЕЛТОС АД, ул. Кубрат №9, 5500 Ловеч, България.

(UK)

ДЕКЛАРАЦІЯ ПРО ВІДПОВІДНІСТЬ

Ми заявляємо під свою власну відповідальність, що даний продукт відповідає всім діючим вимогам директив і гармонізованих стандартів: 2006/42/EC; 2004/108/EC; 2006/95/EC; EN 60335-1; EN 60335-2-2; EN 62233; EN 55014-1; EN 55014-2; EN 61000-3-2; EN 61000-3-3

Технічне досьє зберігається в СПАРКИ ЕЛТОС АД, ул. Кубрат № 9, 5500 Ловеч, Болгарія.

(BG)

ДЕКЛАРАЦИЯ ЗА СЪОТВЕТСТВИЕ

Ние декларираме на своя лична отговорност, че това изделие отговаря на всички приложими изисквания на следните директиви и хармонизирани стандарти: 2006/42/EC; 2004/108/EC; 2006/95/EC; EN 60335-1; EN 60335-2-2; EN 62233; EN 55014-1; EN 55014-2; EN 61000-3-2; EN 61000-3-3

Техническото досие се съхранява в СПАРКИ ЕЛТОС АД, ул. Кубрат №9, 5500 Ловеч, България.

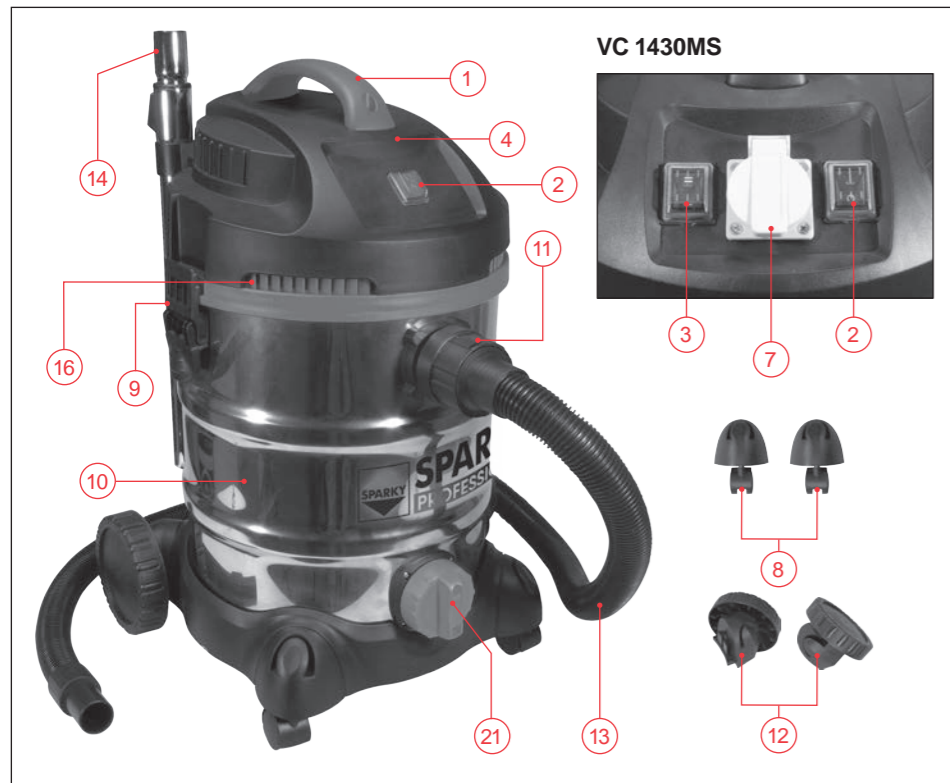
Signature of authorized person

10

01.08.2010

Manufacturer
SPARKY Power Tools GmbH
Leipziger Str. 20
10117 Berlin, GERMANY

A. Ivanov
Technical director of SPARKY ELTOS AG



A



B

Contents

I	- Introduction	1
II	- Technical specifications	3
III	- Safety instructions for vacuum cleaners	3
IV	- Know your product	A/4
V	- Operation	5
VI	- Maintenance	7
VII	- Warranty	8

I - Introduction

Your new SPARKY electric appliance will more than satisfy your expectations. It has been manufactured under stringent SPARKY Quality Standards to meet superior performance criteria. You will find your new electric appliance easy and safe to operate, and, with proper care, it will give you many years of dependable service.

WARNING:



Carefully read through this entire Instruction Manual before using your new SPARKY power tool. Take special care to heed the **Warnings**. Your SPARKY power tool has many features that will make your job faster and easier. Safety, performance, and dependability have been given top priority in the development of this tool, making it easy to maintain and operate.



Do not dispose of electrical appliances together with household waste!

Waste electrical appliances should not be disposed of with household waste. Please recycle where facilities exist. Check with your local authority or retailer for recycling advice.

ENVIRONMENTAL PROTECTION



The machine, accessories and packaging should be sorted for environmental-friendly recycling. The plastic components are labelled for categorised recycling.

DESCRIPTION OF SYMBOLS

The rating plate on your electric appliance may show symbols. These represent important information about the product or instructions on its use.



Double insulated for additional protection



Class I electrical appliance with protection against electric shock - connected to the protective neutral



Wet vacuum cleaner



Conforms to the relevant European Directives



Conforms to the requirements of Russian standards



Conforms to the requirements of Ukrainian standards



Read the instruction manual

YYYY-Www

Production period, where the variable symbols are:
YYYY - year of manufacture, ww - calendar week number

VC

VACUUM CLEANER

II - Technical specifications

MODEL:	VC 1220M	VC 1430MS
• Power input	1250 W	1400 W
• Maximum suction power	1500 W	1700 W
• Maximum power input for a plugged-in power tool	–	2000 W
• Tank capacity	20 l	30 l
• Tank material	Stainless steel	Stainless steel
• Dust bag capacity	20 l	30 l
• Maximum suction force	15 kPa	17 kPa
• Maximum air flow	55 l/s	57 l/s
• Air flow according to EN 60312	27 l/s	30 l/s
• Automatic mode with power tools	No	Yes
• Water drain	Yes	Yes
• Air-control handle	No	Yes
• Hose diameter	Ø32 mm	Ø32 mm
• Hose length	1.5 m	2.5 m
• Cable length	4 m	7.5 m
• Operating radius	6 m	11 m
• Weight (EPTA procedure 01/2003)	5.8 kg	8.8 kg
• Protection class	IP 24	IP 24
• Safety class	⊠ / II	⊕ / I
• Noise emission (measured values determined according to EN 60704):		
A-weighted sound pressure level L_{pa}	79 dB(A)	81 dB(A)
A-weighted sound power level L_{wa}	93 dB(A)	95 dB(A)



Wear hearing protection!

III - Safety instructions for vacuum cleaners



WARNING: This appliance complies with the compulsory safety regulations for electric equipment. To reduce the risk of injury, user must read instruction manual. Read all instructions. Failure to follow all instructions listed below may result in personal injury and/or property damage and as a result, the guarantee will become void.

Save these instructions for future reference!



WARNING: Make sure the power supply voltage corresponds to the value indicated on the name plate with technical data of the appliance.

- If in doubt, do not plug in the appliance.
- A power source with a voltage greater than that specified for the appliance can result in serious injury to the user, as well as damage to the appliance.
- Using a power source with a voltage less than the nameplate rating is harmful to the motor.
- The appliance is designed to vacuum up materials that are not hazardous to your health and that are not flammable.
- This appliance is designed solely for use in the household or workshop. Model VC 1430MS is designed to vacuum the dust generated during operating a power tool.
- Do not use the appliance outdoors (unless it has been specifically designed for use outdoors).
- Do not subject the appliance to heat, direct sunshine or very high moisture (e.g. rain).
- Never immerse the appliance in liquids and be aware of sharp edges that may damage it.
- Never use the appliance with wet or damp hands. Unplug it immediately if the appliance becomes wet or damp when it is running. Do not immerse the appliance in water.
- When operating the vacuum cleaner in damp environment, use a residual current device (RCD). Using a residual current device (RCD) reduces the risk of an electric shock.
- The appliance must be used only for its prescribed purpose. Any use other than those mentioned in this Manual will be considered a case of misuse. The user and not the manufacturer shall be liable for any damage or injury resulting from such cases of misuse.
- Never hold the connectors in front of your face (especially your eyes, ears, etc.) Never direct the nozzle towards persons or animals.
- Make sure that the correct dust bag has been inserted securely in its holder before using the appliance. The wrong dust bag or incorrectly installed dust bags can cause damage to the appliance and cause the guarantee to become void.
- Do not vacuum up ashes, hot coals or the like, large fragments of glass and sharp objects.
- Do not vacuum up any toner dust, which is used in printers and copiers for example, because it is electrically conductive. In addition, it is possible that it will not be completely filtered out by the filter system of the

wet/dry vacuum cleaner and can be released into the air via the exhaust fan.

- Never vacuum flammable or poisonous liquids like petrol, oil, acids, or other volatile substances.
- Do not vacuum up liquids that are hotter than 60°C or any poisonous or flammable dusts.
- Never vacuum asbestos or asbestos dust.
- Never lay the appliance on its side. Pay particular attention to a horizontal position and adequate stability on stairs.



WARNING: Always switch off and unplug the appliance after use, prior to cleaning, changing the filters or accessories, carrying or storing. Do not use the cable to pull the plug out of the socket. Dismount all accessories from the appliance prior to storing.

- Keep the vacuum cleaner away from heat sources
- Never leave the appliance switched on unattended. If you leave the work area, switch the appliance off or unplug it from the receptacle (don't pull the cord, but use the plug).
- Never use the appliance when you are under the influence of medication, alcohol or drugs, if you are currently under medical care, or if you are tired.
- Make sure that the cable can't cause bystanders to stumble and do not give children access to the appliance.
- Check regularly the perfect working condition of the electric appliance and the supply cable. Do not operate faulty electric appliances.
- In case the supply cable is damaged, the replacement has to be done in an authorised SPARKY service centre.
- Do not attempt to repair the appliance yourself. The repair of these electric appliances can be performed only by qualified technicians in the authorised SPARKY service centres using original spare parts. Incorrect repair may cause considerable danger for the operator.
- Only use original SPARKY spare parts and accessories. The use of non approved parts or accessories may be a possible source of danger and will cause the guarantee to become void.
- Check the float often.
- If you notice liquid leaking from your appliance, switch it off immediately and unplug it.
- Do not put the appliance in water. Make sure that water is not spilled on the appliance.
- When disposing of the wastewater, make sure that you observe any legal regulations.
- Only store the appliance in a safe and dry location outside the reach of children.
- Always keep the appliance clean. Don't use any solvents or cleaners that contain solvents for cleaning.

Please pay particular attention to the following "Special Safety Information"

SPECIAL SAFETY INFORMATION

- Never vacuum up hot ashes or pointed or sharp objects.
- Never use the appliance in damp rooms.

- Do not use the appliance without a dust bag (an exception is wet vacuuming). Make sure that the dust bag is inserted into the appliance correctly.
- When using the appliance, make sure that no hair, clothing, or members are drawn in.
- Keep the vacuum cleaner away from heat sources such as radiant heaters, ovens, etc.
- In order to operate this electric appliance properly you must observe the safety regulations, the assembly directions and the operating instructions specified in this Manual. All users must be acquainted with this Manual and informed on the potential risks during operating the electric appliance.
- Children, disabled and aged persons are often not aware of the dangers that can result from handling electric appliances. The above mentioned groups must never work with this electrical appliance. It is also imperative that you observe the accident prevention regulations in force in your area. The same applies for general rules of occupational health and safety.
- The manufacturer shall not be liable for any changes made to the appliance nor for any damage resulting from such changes.

IV - Know your product

1. Handle
2. ON/OFF switch
3. Automatic mode switch (VC 1430MS)
4. Upper section
5. Float switch
6. Filter basket
7. Built-in socket (VC 1430MS)
8. 2 castors
9. Clamps
10. Tank
11. Connection for the vacuum hose
12. 2 big wheels
13. Hose set
14. Telescopic tube
15. Combo brush for floors and carpets (VC 1430MS)
16. Blower connector
17. Crevice nozzle
18. Pleated filter
19. Foam plastic filter
20. Dry filter
21. Drain outlet (VC 1430MS)
22. Adapter (VC 1430MS)
23. Air control handle (VC 1430MS)
24. Dust bag
25. Floor nozzle (VC 1220M)
26. Holder for extension tube
27. Screws

UNPACKING

Due to modern mass production techniques, it is unlikely that your electric appliance is faulty or that a part is missing. If you find anything wrong, do not operate the appliance until the parts have been replaced or the fault has been rectified. Failure to do so could result in serious

personal injury.

Carefully unpack the contents of the box.

1. Hold the two clamps (9), which hold the upper section (4) in its position and fold them upwards (Fig.1).
2. Loosen the clamps, remove the upper section (Fig.2), and remove the contents from the tank.

Please check the parts using the list shown above to make sure they are complete and that there has been no damage in transport.

ASSEMBLY

- Make sure that the cable is unplugged.
- Hold the two clamps, which hold the upper section in its position and fold them upwards (Fig.1).
- Loosen the clamps and lift the upper section up and out (Fig.2).
- Slide the handle onto the upper section from the top. Make sure that the guide of the handle fastener is inserted on the right side in the handle holder (Fig.3).
- Fasten the handle to the upper section with the two accompanying screws. Tighten the screws finger-tight (Fig.4).
- Turn the tank over so that the upper section is on the bottom.
- Put the four rollers (8, 12) in the guides on the bottom of the tank (Fig.5).
- Check that the rollers have been pushed completely into the guides.
- Fasten the rollers with the remaining screws.
- Tighten the screws finger-tight (Fig.6).
- Insert a filter, appropriate for the intended operation.
- Replace the upper section on the tank (Fig.7).
- Align the upper section with the clamps (Fig.8).
- Hook the clamps into the upper section and let them snap into place by pressing the clamps downwards.
- Place the large end of the hose (13) on the front air intake stub (11) on the tank.
- Select a nozzle (15, 17, 25) or the telescopic tube (14) and slide it over the suction tube (13) (Fig.10).
- After using and cleaning the appliance, store the accessories by attaching them to the corresponding holders on the vacuum cleaner (Fig.11).

V - Operation instructions

These electric appliances are supplied from single-phase alternating current mains only. Model VC 1220M is double insulated according to EN 60335-1 and can be connected to grounded or not grounded sockets. Model VC 1430MS must be connected to grounded sockets.

This power tool is radio suppressed in compliance with EMC Directive 2004/108/EC.

Model VC 1430MS is designed to vacuum the dust generated during operating a power tool. For this purpose model VC 1430MS is equipped with a built-in socket (7), for inserting the cable plug of the power tool. The vacuum cleaner will switch on automatically as soon as you switch on the power tool. When you switch off the power tool, the vacuum cleaner will also switch off after a pre-set delay.

PRIOR TO INITIAL OPERATION

- Make sure power supply voltage corresponds to the value indicated on the name plate with technical data of the appliance.
- Make sure the cable and the plug are in order. If the replacement of the supply cable is necessary, this has to be done by the manufacturer or his agent in order to avoid a safety hazard.
- It is absolutely necessary for you to read, understand, and observe the section entitled "Safety instructions for vacuum cleaners".

DRY VACUUM CLEANING



WARNING: Never vacuum up hazardous materials.

If an incorrect dust bag is used, then the guarantee becomes void.

- Make sure that the appliance is not plugged into the power mains.
- Carefully pull the dry filter over the filter basket (6).
- Check to make sure that the dry filter completely covers the filter basket. Also check to make sure that all corners of the dry filter are being held in place by the fastening ring.
- Slide the dust bag over the hose connection (Fig.14) in the tank. Press it until it snaps firmly into place (Fig.15). In the process, make sure that the dust bag is not damaged.
- Place the upper section on the tank once again and close the clamps (Fig.7), (Fig.8).
- Place the large end of the hose on the front air intake stub on the tank (Fig.9).
- Select the desired nozzle (15, 17, 25) or the telescopic tube (14); connect it to the vacuum hose (13) and connect the end of the hose to the air intake stub on the appliance.
- Make sure that the ON/OFF switch (2) on the appliance is in the "OFF" position "O" before you insert the power plug into the socket.
- Insert the power plug into the socket.
- Switch the motor on (ON/OFF switch in position "I").
- When you have finished vacuuming, switch the motor off by putting the ON/OFF switch (3) into the „OFF“ position "O".
- Unplug the vacuum cleaner.

Check the dust bag (24) regularly and change it when it is 2/3 full. The bag is designed in such way that only air, and no dust, can pass through the paper.

Therefore a used dust bag may not be reused.

NOTE: Don't use the dust bag for vacuuming up objects with sharp edges or wet objects.

Pleated filter

When using the pleated filter, no dust bag is necessary.

Place the pleated filter (18) on the filter basket (6) (Fig.16a). Close the filter basket (6) by the locking cap and screw the cap (Fig. 16b). After extended use, the pleated filter can be cleaned by banging it out or brushing it out.

When vacuuming concrete or similar materials, generating fine dust, as well as during automatic mode with power tools (VC 1430MS), the pleated filter must be brushed and dusted off more often. This is an important prerequisite for the reliable operation and long life of your vacuum cleaner. If you notice that the suction force decreases or in case you ascertain that the pleated filter is damaged, you must replace it immediately with a new one.

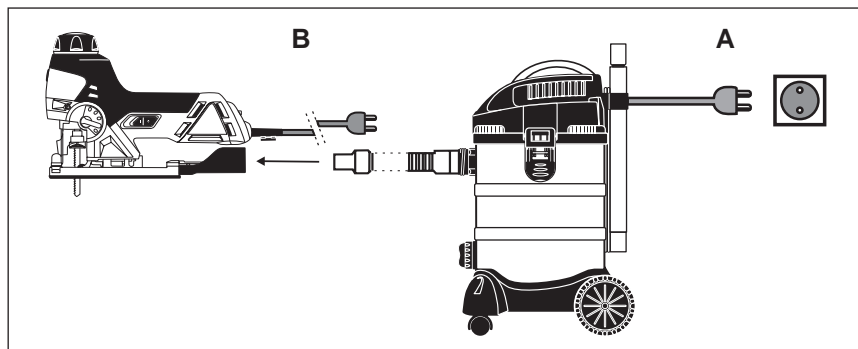
AUTOMATIC MODE WITH POWER TOOLS (VC 1430MS)

- Make sure that the appliance is not plugged into the power mains.
- Open the clamps and remove the upper section.
- Check to make sure that the tank (10) is free of dust and dirt.
- Place a pleated filter (18), appropriate for the intended operation, in the filter basket and screw the cap on the filter basket. Place back the upper section on the tank and close the clamps (Fig.16c).
- Set the ON/OFF switch of the power tool you intend to operate to the "OFF" position "O".

- Connect the vacuum cleaner adapter (22) to the dust extraction of the power tool (Fig.17).
- Plug the power tool into the built-in socket (7) of the vacuum cleaner.
- Insert the vacuum cleaner plug into the mains supply socket.
- Set the vacuum cleaner switch (2) to the "ON" position "I".
- Set the automatic mode switch (3) into position "=".
- Switch on the power tool.

The vacuum cleaner will switch on automatically as soon as you switch on the power tool. When you switch off the power tool, the vacuum cleaner will also switch off after a pre-set delay.

	A (Voltage)	B (Power input)
EU	230 V	2100 W
RU	220V	2000 W



WET VACUUM CLEANING



WARNING: Never vacuum up hazardous materials.

- Make sure that the appliance is not plugged into the power mains.
- Check to make sure that the tank (10) is free of dust and dirt.
- The appliance is shipped from the factory with a pleated filter. Remove the pleated filter (18) which is not appropriate for wet vacuum cleaning.
- Remove the dust bag (24) and the dry filter (20) in case you have used them prior to wet vacuum cleaning (VC 1220M).
- Only leave the foam plastic filter (19) (Fig.12) over the filter basket.
- Place the upper section on the tank once again and

close the clamps (Fig.7), (Fig.8).

- Place the large end of the hose on the front air intake stub on the tank (Fig.9).
- Select a nozzle (15, 17, 25) or the telescopic tube (14) and slide it over the suction tube (13), (Fig.10).
- Make sure that the ON/OFF switch (2) on the appliance is in the "OFF" position "O" before you plug the power plug into the socket.
- Insert the plug into the socket.
- Switch the motor on (ON/OFF switch (2) in position "I").
- When you have finished wet vacuuming, switch the motor off by putting the ON/OFF switch (2) into the „OFF" position "O".
- Unplug the vacuum cleaner.
- After use, empty and dry the tank (10).

Tip: If you want to vacuum up a large quantity of liquid from a sink or a tank, please don't put the entire suction nozzle in the liquid; rather leave a little space so that

some air can also be drawn in along with the liquid. The appliance is equipped with a float switch (5) (Fig. 18) that will stop the vacuuming when the tank is full. You will notice that suction has stopped by the motor now running faster. In this event, switch the appliance off and unplug it.

Be aware that the full tank can be very heavy. Remove the cap from the drain outlet (21) and pour the rest of the liquid into a suitable tank or drain. Then, you can continue vacuuming after you have replaced the drain outlet cap.

After wet vacuuming, switch off the appliance and unplug it. Empty the container and clean/dry it inside and outside before putting it away.

IMPORTANT! After wet vacuuming, please proceed as described in the section entitled „Dry Vacuum cleaning“ before you dry vacuum again.

ACCESSORIES

MODEL	VC 1220M	VC 1430MS
Hose set	•	•
Two-part plastic tube	•	
Chrome-plated telescopic tube		•
Dust bag	•	•
Dry filter	•	
Foam filter	•	•
PET pleated filter		•
Cellulose pleated filter	•	
Floor nozzle	•	
Combo brush		•
Crevice nozzle	•	•
Air-control handle		•
Power tool adapter		•
Rollers	2 castors + 2 big wheels	2 castors + 2 big wheel



WARNING: Use only original SPARKY accessories. The use of non original spare parts or accessories presents potential danger and voids the guarantee.

VI - Maintenance

- Make sure that the appliance is not plugged into the power mains.
- Remove the suction hose (13) from the tank.
- Loosen the clamps (Fig.1) and separate the upper section from the tank (Fig.2).
- Remove all the dirt and residue from the tank and the hose.
- Clean the foam plastic filter (19) by washing it with a mild detergent.
- Check the hoses and connections and check the power cord for any damage.
- When the foam plastic filter (19) is removed, check the float (5). To do this, take the upper section by the handle and tip it carefully so that the filter basket is facing upwards. The float should move freely up and down (Fig.18).



WARNING: Never use alcohol, petrol or other cleaning agent. Never use caustic agents to clean plastic parts.



WARNING: Water must never come into contact with the electric appliance.

IMPORTANT! To assure product safety and reliability, repairs, maintenance and adjustment should be performed by authorised SPARKY service centres or other qualified service organisations, always using genuine replacement parts.

TROUBLE SHOOTING

Problem	Probable cause	Corrective action
The appliance doesn't work.	No power	Check the power supply
	Functional fault in the power cord, switch, or motor	Test, repair or replace the damaged part
	Tank is full of liquid	Empty the tank
Dust is escaping from the motor cover.	The dust bag is missing or damaged	Put in a dust bag or replace it.
Low suction power and high motor speed / vibrations	Dust bag is full	Replace the dust bag

VII - Warranty

The guarantee period for SPARKY electric appliances is determined in the guarantee card.

Faults due to normal wear, overloading or improper handling will be excluded from the guarantee.

Faults due to defective materials implemented as well as defects in workmanship will be corrected free of charge through replacement or repair.

The complaints for defective SPARKY electric appliances will be recognized if the appliance is sent back to the dealer or is presented to the authorised warranty service centre undismantled, in its initial condition.

Notes

Carefully read the entire original instructions before using this product.

The manufacturer reserves the right to change specifications without notice.

Specifications may differ from country to country.

Inhalt

I	- Einführung	9
II	- Technische Daten	11
III	- Sicherheitshinweise bei der Arbeit mit Trockensaugern	11
IV	- Übersicht der Gerätekomponenten	A/12
V	- Arbeitshinweise	13
VI	- Wartung	15
VII	- Garantie	16

I - Einleitung

Das von Ihnen neuerworbene Elektrogerät SPARKY wird Ihre Erwartungen übersteigen. Es ist gemäß den hohen Qualitätsnormen von SPARKY hergestellt, entsprechend den hohen Anforderungen des Benutzers. Leicht in der Bedienung und gefahrlos beim Betrieb, wird dieses Elektrogerät Ihnen bei richtiger Anwendung zuverlässig lange Jahre dienen.



WARNUNG!

Lesen Sie aufmerksam die ganze Betriebsanleitung vor dem Betrieb Ihres neuerworbenen SPARKY Elektrogeräts. Beachten Sie speziell die Texte, die mit dem Wort "**Warnung**" beginnen. Ihr SPARKY Elektrogerät besitzt viele Eigenschaften, die Ihre Arbeit erleichtern werden. Bei der Entwicklung dieses Elektrogeräts wurde die größte Aufmerksamkeit der Sicherheit, den Betriebseigenschaften und der Zuverlässigkeit gewidmet, welche für eine einfache Instandhaltung und im Betrieb machen.



Entsorgen Sie Elektrogeräte nicht zusammen mit dem Hausmüll!

Die Abfälle von elektrischen Erzeugnissen dürfen nicht zusammen mit normalen Abfällen gesammelt werden. Bitte führen Sie alte oder defekte Elektrogeräte einer geeigneten Verwertungsstelle zu.



UMWELTSCHUTZ

Mit Rücksicht auf den Umweltschutz sollten die Verpackung, das Zubehör und das Elektrogerät später dem Recycling-Kreislauf zugeführt werden. Zum Erleichtern der Wiederverwertung sind die Elemente aus Kunststoffen, entsprechend gekennzeichnet.

BESCHREIBUNG DER ZEICHEN

Auf dem Typenschild des Elektrogerätes sind spezielle Zeichen angegeben. Sie beinhalten wichtige Informationen über die Ware oder Hinweise für ihre Benutzung.



Doppelte Isolierung für zusätzliche Sicherheit



Schutzklasse I. Elektrogerät mit Schutzleiter zur Verhinderung eines elektrischen Schlags verbunden mit Neutralleiter



Nass-Sauger



Entspricht den einschlägigen Europäischen Richtlinien



Das Gerät entspricht den russischen Richtlinien



Entspricht den Anforderungen der ukrainischen normativen Dokumente



Lesen Sie die Bedienungsanleitung

YYYY-Www Zeitabschnitt der Produktion, wobei die variablen Symbole sind:
YYYY - Kalenderjahr der Produktion, **ww** - laufende Kalenderwoche

VC NASS / TROCKENSAUGER

II - Technische Daten

MODELL:	VC 1220M	VC 1430MS
• Leistungsaufnahme	1250 W	1400 W
• Maximale Ansaugaufnahme	1500 W	1700 W
• Maximale Leistungsaufnahme des zu dem Staubsaugers eingeschalteten Werkzeugs	–	2000 W
• Volumen des Behälters	20 l	30 l
• Material des Behälters	Rostfreier Stahl	Rostfreier Stahl
• Staubbeutelinhalt	20 l	30 l
• Maximale Saugkraft	15 kPa	17 kPa
• Maximaler Saugstrom	55 l/s	57 l/s
• Saugstrom nach EN 60312	27 l/s	30 l/s
• Automatischer Betrieb bei Verwendung von Elektrowerkzeugen	Nein	ja
• Flüssigkeitsansaugen	ja	ja
• Regelung des Luftstroms	Nein	Ja
• Schlauchdurchmesser	Ø32 mm	Ø32 mm
• Schlauchlänge	1,5 m	2,5 m
• Netzkabellänge	4 m	7,5 m
• Radius der Arbeitszone	6 m	11 m
• Gewicht (EPTA Procedure 1/2003)	5,8 kg	8,8 kg
• Sicherheitsgrad	IP 24	IP 24
• Schutzklasse	□ / II	⊕ / I
• Geräuschemissionswerte (Messwerte ermittelt entsprechend EN 60704):		
Der A-bewertete Schalldruckpegel L_{pA}	79 dB(A)	81 dB(A)
Der A-bewertete Schalleistungspegel L_{WA}	93 dB(A)	95 dB(A)



Gehörschutz tragen!

III - Sicherheitshinweise bei der Arbeit mit Staubsaugern



WARNUNG: Dieses Gerät entspricht den vorgeschriebenen Sicherheitsbestimmungen für Elektrogeräte. Damit das Risiko durch Schäden vermieden wird, sollte der Benutzer die Bedienungsanleitung durchlesen. Es sollten alle beiliegenden Anleitungen gelesen werden. Die Nichteinhaltung der aufgezählten Anweisungen kann zu Personenschäden und/oder Sachschäden führen und die Garantie wird dadurch unwirksam.

Bewahren Sie diese Anleitungen zum späteren Gebrauch auf!



WARNUNG: Die Spannung der Stromquelle soll mit den Angaben auf dem Typenschild des Elektrogeräts übereinstimmen.

- Im Falle, dass Sie Stromversorgung nicht kennen, schalten Sie das Gerät nicht ein.
- Eine höhere Spannung kann zu Störungen im Gerät führen.
- Bei niedrigerer Spannung wird der Motor gestört.
- Das Elektrogerät ist bestimmt zum Absaugen von

nicht gesundheitsgefährdenden und brennbaren Stoffen.

- Dieses Elektrogerät ist ausschließlich für den Einsatz im Haushalt und im Privatbereich ausgelegt. Das Modell VC 1430MS ist zum Staubabsaugen bei der Arbeit mit Elektrowerkzeugen geeignet.
- Verwenden Sie das Gerät nicht im Freien (sofern es nicht speziell für den Einsatz im Freien konzipiert ist).
- Setzen Sie das Gerät keiner Hitzeinwirkung, direkter Sonnenbestrahlung oder sehr hoher Feuchtigkeit (z.B. Regen) aus.
- Tauchen Sie das Gerät niemals in Flüssigkeiten und achten Sie auf die mögliche Beschädigungsgefahr durch scharfe Kanten.
- Die Bedienung des Geräts mit nassen oder feuchten Händen ist unzulässig. Falls das Gerät im Betrieb nass oder feucht wird, ziehen Sie sofort den Netzstecker. Stellen Sie das Elektrogerät nicht in Wasser.
- Wenn der Betrieb des Saugers in feuchter Umgebung nicht vermeidbar ist, verwenden Sie einen Fehlerstromschutzschalter. Der Einsatz eines Fehlerstromschutzschalters vermindert das Risiko eines elektrischen Schlages.
- Verwenden Sie das Elektrogerät nur für die Zwecke, für die es bestimmt ist. Andere Verwendungsarten, die der oben beschriebenen nicht entsprechen, werden als nicht bestimmungsgemäße Verwendung betrachtet. Die Haftung für alle Störungen oder Unfälle, die infolge unsachgemäßen Gebrauchs entstanden sind, trägt der Benutzer und nicht der Hersteller.
- Halten Sie die Anschlüsse nicht vor Ihr Gesicht (be-

sonders die Augen, Ohren usw.). Richten Sie die Düse niemals auf Personen oder Tiere.

- Bevor Sie das Elektrogerät in Betrieb nehmen, stellen Sie sicher, dass der richtige Staubbeutel fest in seiner Halterung angebracht ist. Ein falscher oder falsch angebrachter Staubbeutel kann Störungen am Gerät verursachen und die Garantie außer Kraft setzen.
- Keine Asche, heiße Kohle o.ä., größere Glassplitter und spitze Gegenstände aufsaugen.
- Saugen Sie keinen Tonerstaub auf, der bei Druckern und Kopiergeräten verwendet wird, da er elektrisch leitfähig ist. Außerdem ist es möglich, dass er vom Filtersystem des Nass/Trockensaugers nicht völlig ausgefiltert wird und so über das Gebläse wieder in die Raumluft gelangen kann.
- Keine entflammaren oder giftigen Flüssigkeiten, wie Benzin, Öl, Säuren oder sonstige flüchtige Substanzen aufsaugen.
- Keine Flüssigkeiten die über 60°C erwärmt sind und keinen giftigen und brennbaren Staub aufsaugen.
- Niemals Asbest oder Asbeststaub aufsaugen.
- Das Gerät während des Betriebes niemals auf die Seite legen. Achten Sie besonders bei Treppen auf waagerechte Aufstellung und ausreichend Standssicherheit des Geräts.



WARNUNG: Nach Gebrauch, vor dem Reinigen, Filter- oder Zubehörwechsel stets den Netzstecker ziehen. Ziehen Sie zum Ausstecken des Geräts niemals am Kabel, sondern am Stecker selbst. Nehmen Sie die für die Nutzung angebrachten Sonderzubehöriteile wieder vom Gerät ab, wenn Sie das Gerät zum Lagern bringen.

- Das Gerät nicht direkt neben Heizkörpern aufbewahren.
- Lassen Sie den Staubsauger nicht unüberwacht eingeschaltet. Falls Sie den Arbeitsbereich verlassen müssen, schalten Sie den Staubsauger aus oder ziehen Sie den Netzstecker aus der Steckdose (dazu nicht am Kabel, sondern am Stecker ziehen).
- Verwenden Sie das Elektrogerät nie, wenn Sie unter dem Einfluss von Medikamenten, Alkohol oder Drogen stehen, sich in medizinischer Behandlung befinden, oder wenn Sie müde sind.
- Achten Sie darauf, dass das Kabel keine Stolpergefahr darstellt und Kinder keinen Zugang zum Elektrogerät haben.
- Überprüfen Sie das Elektrogerät und das Netzkabel regelmäßig auf eventuelle Beschädigungen. Verwenden Sie beschädigte Elektrogeräte nicht.
- Falls das Netzkabel beschädigt ist, lassen Sie den Austausch des Kabels von einem autorisierten SPARKY Service vornehmen.
- Versuchen Sie nicht, das Gerät selbst zu reparieren. Die Reparaturen dieser Elektrogeräte können nur von qualifizierten Technikern in den autorisierten Services von SPARKY gemacht werden bei der Verwendung von Original - Ersatzteilen. Durch unsachgemäße Reparatur können erhebliche Gefahren für den Benutzer entstehen.
- Verwenden Sie ausschließlich SPARKY Original-Zubehöriteile. Die Verwendung von nicht zugelassenen Teilen oder Zubehör kann Gefahrenquellen darstellen

und die Garantie außer Kraft setzen.

- Kontrollieren Sie regelmäßig den Schwimmkörper.
- Wenn Sie an dem Gerät einen Flüssigkeitsaustritt bemerken das Gerät sofort abschalten und Netzstecker ziehen.
- Stellen Sie das Gerät niemals in Wasser. Achten Sie darauf, dass kein Wasser über das Gerät geschüttet wird.
- Beachten Sie bei der Entsorgung des Schmutzwassers die gesetzlichen Vorschriften.
- Lagern Sie das Elektrogerät nur an einem sicheren und trockenen Ort außerhalb der Reichweite von Kindern.
- Halten Sie den Staubsauger immer sauber. Verwenden Sie zum Säubern kein Lösungsmittel oder lösungsmittelhaltigen Reiniger.

Beachten Sie insbesondere auch die nachfolgenden besonderen Sicherheitshinweise.

BESONDERE SICHERHEITSHINWEISE

- Saugen Sie keine heiße Asche sowie spitze oder scharfkantige Gegenstände auf.
- Verwenden Sie das Elektrogerät nicht in feuchten Räumen.
- Die Benutzung des Staubsaugers ohne Staubbeutel ist unzulässig (Ausnahme bei Nasssaugen). Achten Sie darauf, dass der Staubbeutel richtig in das Gerät eingesetzt ist.
- Achten Sie darauf bei Verwendung des Staubsaugers, daß keine Haare, Bekleidung oder Gliedmaßen angesaugt werden.
- Halten Sie den Staubsauger fern von Hitzequellen wie Heizstrahlern, Öfen usw.
- Damit Sie dieses Elektrogerät sachgemäß benutzen können, lesen Sie die Sicherheitsanforderungen, sowie die Warn- und Sicherheitshinweise. Alle Benutzer sollen diese Bedienungsanleitung, sowie die potenziellen Risiken bei der Benutzung des Geräts kennen.
- Kinder, Körperbehinderte und sehr alte Menschen erkennen oft nicht die Gefahren, die beim Umgang mit Elektrogeräten entstehen können. Oben genannte Personen niemals mit diesem Elektrogerät arbeiten lassen. Unbedingt Sicherheitsmaßnahmen vornehmen. Das Gleiche gilt auch für die Einhaltung der Grundregeln für fachtechnische Gesundheit und Sicherheit.
- Der Hersteller kann nicht für Schäden verantwortlich gemacht werden, die durch vom Benutzer gemachten Änderungen, nicht bestimmungsgemäße Verwendung oder falsche Bedienung verursacht werden.

IV - Übersicht der Gerätekomponenten

1. Griff
2. ON/OFF Schalter
3. Betriebswahlschalter (VC 1430MS)
4. Oberdeckel
5. Schwimmschalter
6. Filterkorb

7. Eingebaute Steckdose (VC 1430MS)
8. 2 kleine Fußrollen
9. Klammern
10. Behälter
11. Anschluß für den Saugerschlauch
12. 2 große Fußrollen
13. Schlauchset
14. Teleskoprohr
15. Kombinierte Boden- und Teppichdüse (VC 1430MS)
16. Gebläseanschluß
17. Fugendüse
18. Faltenfilter
19. Schaumstofffilter
20. Trockenfilter
21. Ausgießlücke (VC 1430MS)
22. Adapter (VC 1430MS)
23. Griff zur Regelung der Ansaugkraft (VC 1430MS)
24. Staubbeutel
25. Grobschmutzdüse (VC 1220M)
26. Halter für Verlängerungsrohr
27. Schrauben

AUSPACKEN

Überprüfen Sie unmittelbar nach dem Auspacken ob sämtliche Bestandteile und das beschriebene Zubehör mitgeliefert wurden. Sollte dies nicht der Fall sein, wenden Sie sich bitte umgehend an Ihren Fachhändler bei dem der Sauger gekauft wurde. Dies trifft auch dann zu, wenn Sie den Eindruck haben mit dem Gerät ist etwas nicht in Ordnung.

Eine Nichtbeachtung dieser Empfehlung kann zu schweren Unfällen führen.

1. Greifen Sie die beiden Klammern (9), die das Oberteil (4) in seiner Position halten und klappen diese nach oben (*Bild 1*).
2. Lösen Sie die Klammern, entfernen das Oberteil (*Bild 2*) und entnehmen den Inhalt aus dem Behälter.

Überprüfen Sie bitte die Teile anhand der oben gezeigten Liste auf Vollständigkeit und auf Transportschäden.

MONTAGE

- Stellen Sie sicher, dass der Stecker nicht mit dem Stromnetz verbunden ist.
- Greifen Sie die beiden Klammern, die das Oberteil in seiner Position halten und klappen diese nach oben (*Bild 1*).
- Lösen Sie die Klammern und heben das Oberteil nach oben und nach außen ab (*Bild 2*).
- Schieben Sie den Griff von oben auf das Oberteil. Achten Sie darauf, dass die Führung der Griffbefestigung auf der rechten Seite in die Griffhalterung eingeführt wird (*Bild 3*).
- Befestigen Sie den Handgriff am Oberteil mit zwei der beigelegten Schrauben. Ziehen Sie die Schrauben handfest an. (*Bild 4*).
- Drehen Sie den Behälter mit der Oberseite nach unten.
- Stecken Sie die vier Fußrollen (8, 12) in die Führung am Boden des Behälters (*Bild 5*).
- Prüfen Sie, ob die Fußrollen vollständig in die Führung hineingeschoben sind.

- Befestigen Sie die Fußrollen mit den verbleibenden beigelegten Schrauben.
- Ziehen Sie die Schrauben handfest an (*Bild 6*).
- Setzen Sie den entsprechenden Filter, für die Arbeit, die Sie machen werden.
- Setzen Sie das Oberteil wieder auf den Behälter (*Bild 7*).
- Richten Sie das Oberteil passend zu den Klammern aus (*Bild 8*).
- Hängen Sie die Klammern am Oberteil ein und lassen Sie diese einrasten.
- Stecken Sie das große Ende des Schlauchs (13) auf den vorderen Ansaugstutzen (17) am Behälter.
- Wählen Sie die gewünschte Düse (15, 17, 25) oder das Teleskoprohr (14) aus und schieben Sie diese über das Ansaugrohr (13), (*Bild 10*).
- Nach Gebrauch und Reinigung des Geräts verstauen Sie das Zubehör, indem Sie es in den entsprechenden Aufnahmen am Sauger anbringen (*Bild 11*).

V - Arbeitshinweise

Dieses Elektrogerät arbeitet mit einphasiger Wechselspannung. Modell VC 1220 verfügt über doppelte Isolierung laut EN 60335-1 und kann in Steckdosen ohne Sicherungskammern eingeschaltet werden. Modell VC 1430 MS soll in Steckdosen mit Sicherungskammer eingeschaltet werden.

Die Funkstörungen entsprechen der EMV-Richtlinie 2004/108/EC zur Elektromagnetischen Verträglichkeit. Modell VC 1430MS ist zum Staubabsaugen bei Benutzung von Elektrowerkzeugen geeignet. Zu diesem Zweck verfügt Modell VC 1430MS über eine eingebaute Steckdose (7), in der das Netzkabel des Elektrowerkzeugs eingeschaltet wird. Beim Einschalten des Werkzeugenschalters wird der Staubsauger automatisch eingeschaltet. Beim Ausschalten des Elektrowerkzeugs, wird der Staubsauger nach einer bestimmten Zeit auch automatisch ausgeschaltet.

BEVOR SIE DIE ARBEIT BEGINNEN

- Prüfen Sie, ob die Netzspannung den Angaben auf dem Schild mit den technischen Daten des Geräts entspricht.
- Stellen Sie sicher, dass das Netzkabel und den Stecker fehlerlos sind. Falls das Kabel beschädigt ist, lassen Sie den Austausch durch den Hersteller oder durch von ihm autorisierte Fachkraft vornehmen, um der Gefahr eines Stromschlages vorzubeugen.
- Lesen, verstehen und berücksichtigen Sie die Hinweise in den „Sicherheitsanweisungen bei der Arbeit mit Staubsauger“.

TROCKENSAUGEN



WARNUNG: Saugen Sie nie für die Gesundheit gefährliche Substanzen an.

Das Verwenden eines nicht korrekten Staubbeutels lässt die Garantie verfallen.

- Vergewissern Sie sich, dass das Gerät vom Netz getrennt ist.
- Setzen Sie den Trockenfilter (20) über dem Filterkorb (6).
- Prüfen Sie, ob der Trockenfilter (20) den Filterkorb vollständig abdeckt. Prüfen Sie auch, ob alle Ecken des Filters durch den Befestigungsring gehalten werden.
- Schieben Sie den Staubbeutel über den Schlauchstutzen im Behälter (*Bild 14*). Drücken Sie diesen bis zum Einrasten fest (*Bild 15*). Beachten Sie dabei, daß der Staubbeutel nicht beschädigt wird.
- Setzen Sie das Oberteil wieder auf den Behälter und schließen Sie die Klammern (*Bild 7*), (*Bild 8*).
- Stecken Sie das große Ende des Schlauches auf den vorderen Ansaugstutzen am Behälter (*Bild 9*).
- Wählen Sie die gewünschte Düse (15, 17, 25) oder Teleskoprohr (14) aus; schließen Sie diesen an den Saugschlauch (13) an und stecken Sie das Schlauchende an den Ansaugstutzen am Gerät an
- Stellen Sie sicher, daß der ON/OFF Schalter (2) am Gerät in der Stellung "O" steht, bevor Sie den Netzstecker in die Steckdose stecken.
- Stecken Sie den Netzstecker in die Steckdose.
- Schalten Sie den Motor ein (ON/OFF Schalter befindet sich in Position "I").
- Wenn Sie mit dem Staubsaugen fertig sind, schalten Sie den Motor aus, in dem Sie den ON/OFF Schalter (2) in Position "O" drücken.
- Ziehen Sie den Netzstecker.

Prüfen Sie regelmäßig den Staubbeutel (24) und wechseln Sie ihn aus, wenn er zu 2/3 voll ist. Der Beutel ist so hergestellt, daß nur Luft und kein Staub durch das Papier dringen kann.

Deswegen darf auch ein gebrauchter Staubbeutel nicht wieder verwendet werden.

HINWEIS: Verwenden Sie den Staubbeutel nicht für das Saugen von scharfkantigen oder nassen Gegenständen.

Faltenfilter

Wenn Sie Faltenfilter benutzen, brauchen Sie keinen Staubbeutel.

Setzen Sie den Faltenfilter (18) auf den Filterkorb (6) (*Bild 16a*). Schließen Sie den Filterkorb (6), wobei Sie den Deckel festziehen (*Bild 16b*). Nach längerem Gebrauch soll der Faltenfilter durch Ausschütteln oder mittels einer Bürste gereinigt werden.

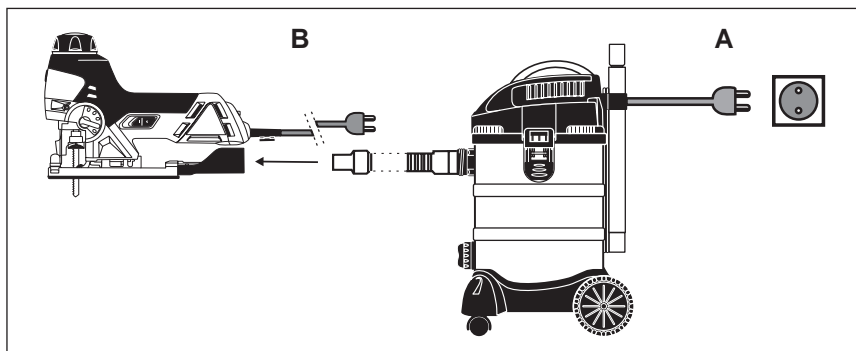
Bei Betonsaugen oder ähnlichen feinstaubigen Materialien, sowie beim automatischen Betrieb mit Elektrowerkzeugen (VC 1430MS) sollte der Faltenfilter öfters gereinigt werden. Das ist eine wichtige Voraussetzung für die zuverlässige Arbeit und langfristige Benutzung Ihres Staubsaugers. Falls Sie feststellen, daß die Saugkraft abnimmt oder der Faltenfilter beschädigt ist, sollten Sie diesen durch einem neuen ersetzen.

AUTOMATISCHER BETRIEB BEI BENUTZUNG VON ELEKTROWERKZEUGEN (VC 1430MS)

- Stellen Sie sicher, daß der Staubsauger nicht mit dem Stromnetz verbunden ist.
- Öffnen Sie die Klappen und ziehen Sie das Oberteil.
- Prüfen Sie ob der Behälter (10) staub- und schmutzfrei ist.
- Setzen Sie einen für die Anwendung passenden Faltenfilter (18) auf den Filterkorb ein und ziehen Sie den Deckel fest. Setzen Sie den Staubsaugeroberenteil wieder auf den Behälter und schließen Sie die Klammern zu (*Bild 16c*).
- Stellen Sie den Schalter des Elektrogeräts, das Sie benutzen werden, in Position "O".
- Verbinden Sie den Staubsaugeraadapter (22) mit der Staubbühnung des Elektrogeräts (*Bild 17*).
- Schalten Sie das Elektrogerät in die im Staubsauger eingebaute Steckdose (24).
- Stecken Sie den Netzstecker des Staubsaugers in die Steckdose.
- Stellen Sie den ON/OFF Schalter des Staubsaugers (2) in Position "I".
- Stellen Sie den Betriebswahlschalter (3) in Position "=".
- Schalten Sie den Schalter des Elektrowerkzeugs.

Der Staubsauger wird automatisch eingeschaltet zu dem Zeitpunkt, in dem Sie das Elektrowerkzeug eingeschalten haben. Wenn Sie das Elektrowerkzeug ausschalten, wird der Staubsauger nach einer bestimmten Zeit auch ausgeschaltet.

	A (Spannung)	B (Leistungsaufnahme)
EU	230 V	2100 W
RU	220V	2000 W



NASSSAUGEN



WARNUNG: Saugen Sie nie für die Gesundheit gefährliche Substanzen an.

- Stellen Sie sicher, daß das Gerät nicht mit dem Stromnetz verbunden ist.
- Prüfen Sie, ob der Behälter (14) staub- und schmutzfrei ist.
- Entfernen Sie den vom Hersteller eingesetzten Faltenfilter (18), der für Nasssaugen nicht geeignet ist.
- Entfernen Sie den Staubbeutel (24) und den Trockenfilter (20) falls Sie vorher diese benutzt haben (VC 1220M).
- Lassen Sie nur den Schaumstofffilter (19) (Bild 12) über dem Filterkorb.
- Setzen Sie das Oberteil wieder auf den Behälter und schließen Sie die Klammern (Bild 7), (Bild 8).
- Stecken Sie das große Ende des Schlauches auf den vorderen Ansaugstutzen am Behälter (Bild 9).
- Wählen Sie die gewünschte Düse (15, 17, 25) oder Teleskoprohr (14) aus und schieben Sie diese über das Ansaugrohr (13), (Bild 10).
- Stellen Sie sicher, daß der ON/OFF Schalter (2) am Gerät in der Position "O" steht, bevor Sie den Netzstecker in die Steckdose stecken.
- Stecken Sie den Netzstecker in die Steckdose.
- Damit Sie den Motor einschalten, stellen Sie den ON/OFF Schalter (11) in die Position "I".
- Wenn Sie mit dem Nasssaugen fertig sind, schalten Sie den Staubsauger aus, indem Sie den ON/OFF Schalter (2) in Position "O" stellen.
- Ziehen Sie den Netzstecker.
- Nach dem Einsatz leeren und trocknen Sie den Behälter (10).

TIP: Wenn Sie große Mengen Flüssigkeit aus einer Spüle oder einem Tank absaugen wollen, stecken Sie bitte nicht die ganze Ansaugdüse in die Flüssigkeit, sondern lassen Sie ein wenig Platz, so dass zusammen mit der Flüssigkeit auch Luft angesaugt werden kann.

Das Gerät ist mit einem Schwimmerschalter (5) (Bild 18) ausgestattet, der das Ansaugen abbricht, wenn der Behälter voll ist. Sie bemerken das Abschalten des Saugers dadurch, daß der Motor schneller dreht. In diesem Fall schalten Sie das Gerät ab und ziehen den Netzstecker.

Achten Sie darauf, daß der volle Behälter sehr schwer werden kann.

Nehmen Sie den Verschluss der Ausgießlücke (21) und gießen Sie die restliche Flüssigkeit in einem entsprechenden Gefäß oder Kanalisation. Setzen Sie den Verschluss der Ausgießlücke wieder und setzen Sie die Arbeit fort.

Nach dem Nasssaugen schalten Sie das Gerät ab und ziehen Sie den Netzstecker. Leeren Sie den Behälter und reinigen/trocknen Sie ihn innen und außen, bevor Sie ihn lagern lassen.

Wichtiger Hinweis! Nach dem Nasssaugen verfahren Sie bitte so, wie im Abschnitt „Trockensaugen“ beschrieben, bevor Sie wieder Staubsaugen können.

Elektrowerkzeug ausschalten, wird der Staubsauger nach einer bestimmten Zeit auch ausgeschalten.

ZUBEHÖR

MODELL	VC 1220M	VC 1430MS
Schlauchset	•	•
2-teiliges Kunststoffrohr	•	
Teleskoprohr aus verchromtem Metall		•
Staubbeutel	•	•
Filter für Trockensaugen	•	
Schaumstofffilter	•	•
Faltenfilter Polyester		•
Faltenfilter Zellulose	•	
Bodendüse	•	
Kombinierte Düse		•
Fugendüse	•	•
Griff zur Regelung der Ansaugkraft		•
Adapter zum Einschalten eines Elektrowerkzeuges		•
Fußrollen	2 kleine + 2 große	2 kleine + 2 große



WARNUNG: Verwenden Sie nur SPARKY Original-Zubehörteile. Die Verwendung von nicht zugelassenen Teilen oder fremdem Zubehör kann Gefährdungen darstellen und die Garantie außer Kraft setzen.

VI - Wartung

- Stellen Sie sicher, daß der Stecker nicht mit dem Stromnetz verbunden ist.
- Ziehen Sie den Saugschlauch (13) vom Behälter ab.
- Lösen Sie die Klammern (Bild 1) und nehmen Sie das Oberteil vom Behälter herunter (Bild 2).
- Entfernen Sie den gesamten Schmutz und Rückstände aus dem Behälter und dem Schlauch.
- Reinigen Sie den Schaumstofffilter (19), indem Sie ihn in einer milden Seifenlauge waschen.
- Prüfen Sie den Schlauch und die Anschlüsse und prüfen Sie das Netzkabel auf eventuelle Beschädigungen.
- Nachdem Sie den Schaumstofffilter (19) entfernen, prüfen Sie den Schwimmerschalter (5). Nehmen Sie hierzu das Oberteil am Griff und kippen dieses vorsichtig, so daß der Filterkorb nach oben zeigt. Der Schwimmerschalter muss sich freigängig nach oben und unten bewegen (Bild 18).



WARNUNG: Die Benutzung von Spiritus, Benzin oder Lösungsmittel ist unzulässig. Benutzen Sie niemals Lösungsmittel zur Reinigung der Kunststoffteile.



WARNUNG: Das Eintreten vom Wasser ins Gerät ist unzulässig.

WICHTIGER HINWEIS! Damit eine sichere Benutzung des Elektrogeräts und seine Zuverlässigkeit gesichert wird, sollten alle Reparaturen, Wartung und Regelungen von den autorisierten SPARKY Reparaturwerkstätten durch Einsetzung von Originalersatzteilen gemacht werden.

MÖGLICHE STÖRUNGEN UND IHRE BESEITIGUNG

Festgestellte Störung	Mögliche Ursachen	Abhilfe
Elektrogerät funktioniert nicht	Kein Strom.	Stromversorgung prüfen.
	Funktionsstörung im Netzkabel, Schalter oder Motor.	Schadhaftes Teil prüfen, reparieren oder ersetzen.
	Behälter voller Flüssigkeit.	Behälter entleeren.
Staub tritt aus der Motorabdeckung aus	Staubbeutel fehlt oder ist beschädigt.	Setzen Sie einen Staubbeutel ein oder ersetzen Sie ihn.
Geringere Saugkraft und höhere Motordrehzahl/ Vibrationen	Staubbeutel ist voll.	Ersetzen Sie den Staubbeutel.

VII - Garantie

Die Spezifikationen der SPARKY Elektrogeräte werden in der Garantiekarte bestimmt.

Störungen, die infolge natürlicher Abnutzung, Überlastung oder unsachgemäßem Gebrauch entstanden sind, sind kein Gegenstand der Gewährleistung.

Störungen, die auf Material – oder Herstellungsfehler beruhen, werden ohne zusätzliche Zahlung durch Umtausch oder Reparatur beseitigt.

Reklamation eines fehlerhaften SPARKY Elektrogeräts wird anerkannt, wenn diesen an den Händler zurückgegeben oder an eine autorisierte Reparaturwerkstatt in ursprünglichem Zustand vorgestellt wird.

Bemerkungen

Lesen Sie aufmerksam die ganze Betriebsanleitung durch, bevor Sie mit der Arbeit beginnen.

Der Hersteller behält sich das Recht Verbesserungen oder Änderungen an seinem Erzeugnisse vorzunehmen, sowie die Spezifikationen ohne vorherige Mitteilung zu ändern.

Die Spezifikationen können unterschiedlich für die einzelnen Länder sein.

Contenu

I	- Introduction	17
II	- Caractéristiques techniques	19
III	- Prescriptions de sécurité lors de l'utilisation des aspirateurs	19
IV	- Présentation de l'appareil électrique	A/20
V	- Instructions de fonctionnement	21
VI	- Maintenance	23
VII	- Garantie	24

I - Introduction

L'appareil SPARKY que vous venez d'acheter va surpasser vos attentes. Il a été fabriqué en conformité avec les standards supérieurs de qualité de SPARKY, qui répondent aux exigences élevées de l'utilisateur. Facile à opérer et sûr lors de l'exploitation, cet appareil vous servira pendant de longues années, à condition que son usage soit conforme à sa destination.



ATTENTION!

Lire attentivement la notice complète avant de procéder à l'usage de l'appareil SPARKY. Faire attention aux textes commençant par le mot "**Avertissement**". Votre appareil SPARKY possède de nombreuses qualités qui faciliteront votre travail. Lors de la conception du présent appareil, une attention majeure a été portée à la sécurité, aux qualités d'exploitation et à la fiabilité, celles-ci le rendant facile à maintenir et à opérer..



Ne pas jeter les appareils électriques ensemble avec les déchets ménagers!

Les déchets en provenance d'appareils électriques ne doivent pas être collectés ensemble avec les déchets ménagers. Prière de recycler sur les endroits qui y sont désignés. Contacter les autorités locales ou un représentant pour une consultation concernant le recyclage.



PROTECTION DE L'ENVIRONNEMENT

Afin de protéger l'environnement, l'appareil, les accessoires et l'emballage doivent être soumis à un traitement approprié pour une réutilisation des matières premières qui y sont contenues.

Pour faciliter le recyclage, les détails fabriqués de matériaux artificiels ont été marqués de la manière correspondante.

DESCRIPTION DES SYMBOLES

Sur la plaque de l'appareil électrique sont indiqués des symboles spéciaux. Ils fournissent de l'information importante concernant l'appareil ou instructions de son utilisation.



Double isolation pour protection complémentaire



Classe de protection I. Appareil électrique avec prises de terre reliées au régime du neutre pour éviter un court – circuit



Aspirateur Eau



Conforme aux directives européennes applicables



En conformité avec les exigences des standards Russes



En conformité avec les exigences des standards ukrainiens



Lisez le manuel avant la mise en service de l'outil

YYYY-Www Période de production, où les symboles variables sont les suivants:
YYYY - année de production, ww – le numéro de la semaine du calendrier

VC ASPIRATEUR EAU / POUSSIÈRE

II - Caractéristiques techniques

MODÈLE:	VC 1220M	VC 1430MS
• Puissance consommée	1250 W	1400 W
• Puissance maximale d'aspiration	1500 W	1700 W
• Puissance maximale d'outillage électroportatif branché à l'aspirateur	—	2000 W
• Volume de la cuve	20 l	30 l
• Matériau de la cuve	Acier inoxydable	Acier inoxydable
• Volume du sac à poussière	20 l	30 l
• Puissance maximale d'aspiration	15 kPa	17 kPa
• Débit maximal	55 l/s	57 l/s
• Débit selon EN 60312	27 l/s	30 l/s
• Fonctionnement des outillages électroportatifs en mode automatique	non	oui
• Aspiration de liquides	oui	oui
• Régulation du courant	non	oui
• Diamètre du tuyau	Ø32 mm	Ø32 mm
• Longueur du tuyau	1.5 m	2.5 m
• Longueur du câble	4 m	7.5 m
• Rayon dans la zone de fonctionnement	6 m	11 m
• Poids (procédure EPTA 01/2003)	5.8 kg	8.8 kg
• Niveau de sécurité	IP 24	IP 24
• Classe de protection	□ / II	⊕ / I
• Informations sur le bruit (Valeurs de mesure obtenues conformément à la EN 60704):		
Le mesure réelle (A) de niveau de pression acoustique L_{pA}	79 dB(A)	81 dB(A)
Le mesure réelle (A) de niveau d'intensité acoustique L_{WA}	93 dB(A)	95 dB(A)



Porter une protection acoustique!

III - Prescriptions de sécurités lors de travail avec aspirateurs



AVERTISSEMENT: Cet appareil électrique répond aux règlements obligatoires de sécurité pour les articles électriques. Pour éviter le risque de blessure, le consommateur doit lire le mode d'emploi. Lire la totalité du mode d'emploi. Le non-respect des prescriptions ci-dessous peut causer des incidents et/ou dommage au bien et entraîner l'annulation de la garantie.

Conservez le présent mode d'emploi en vue d'une utilisation ultérieure !



AVERTISSEMENT: Vérifier si la tension du réseau électrique correspond à la tension indiquée sur le tableau des caractéristiques de l'appareil électrique.

- Si vous n'êtes pas sûr du niveau de la tension, ne branchez pas l'appareil électrique.
- Une tension d'alimentation supérieure à la tension nominale peut provoquer de graves traumatismes au consommateur ainsi que des dommages de l'appareil électrique.
- Une tension inférieure à la tension nominale abîmera le moteur électrique.
- L'appareil électrique est destiné à aspirer des matières non dangereuses pour la santé et des liquides non inflammables.
- Cet appareil électrique est destiné exclusivement à l'usage dans le ménage et à l'atelier dans la maison. Le modèle VC 1430MS est destiné à aspirer la poussière en exploitation des appareils électriques.
- N'utilisez pas l'appareil électrique en plein air (sauf prescription expresse d'exploitation en plein air).
- N'exposez pas l'appareil électrique à l'action de la chaleur, au rayonnement direct solaire ou à une très forte humidité (p.ex. à la pluie).
- Ne plongez pas l'appareil électrique dans un liquide quelconque et faites attention aux risques de dommages que présentent les arêtes vives.
- N'utilisez pas l'appareil avec mains mouillées ou humides. Débranchez immédiatement a fiche secteur si l'appareil se retrouve mouillé ou humide. Ne posez pas l'appareil dans l'eau.
- Si l'usage d'un aspirateur dans un emplacement humide est inévitable, utiliser une alimentation protégée par un dispositif à courant différentiel réduit (RCD). L'usage d'un RCD réduit le risque de choc électrique.
- Cet aspirateur eau et poussière ne doit être utilisé et stocké que dans la maison d'habitation.
- Utilisez l'appareil uniquement pour les usages auxquels il est destiné. D'autres types d'utilisation diffé-

rents à celle décrite au présent mode d'emploi, seront considérés comme utilisation incorrecte. Pour toute avarie ou blessure découlant de l'utilisation incorrecte est tenu responsable le consommateur et non pas le producteur.

- Ne tenez pas les raccordements devant votre visage (en particulier les yeux, les oreilles, etc.). Ne dirigez jamais la brosse ou le secteur sur des personnes ou des animaux.
- Assurez-vous que le sac à poussière est bien en place dans son logement avant d'utiliser l'appareil. Un cas à poussière inadapté ou mal ajusté peut provoquer un dysfonctionnement de l'appareil et entraîner l'annulation de la garantie.
- N'aspirez ni cendres, ou charbon incandescents ou autres, ni éclats de verre d'une certaine dimension, ni objets pointus.
- N'aspirez pas de poussière de toner, utilisée par exemple dans les imprimantes ou les photocopieurs, car elle peut être conductrice d'électricité. Par ailleurs, elle pourrait éventuellement ne pas être filtrée entièrement par le système de filtre de l'aspirateur eau et poussière et pourrait ainsi être rejetée dans l'atmosphère de la pièce par la soufflerie.
- Ne jamais nettoyer des liquides inflammables ou toxiques tel que essence, huile, acides ou autres substances volatiles.
- Ne jamais aspirer de liquide chauffé à plus de 60 °C ni de poussières toxiques ou inflammables.
- Ne jamais aspirer d'amiante ou de poussière d'amiante.
- Ne jamais poser l'appareil électrique sur le côté. En particulier dans les escaliers veiller à lui conserver une position horizontale et une stabilité suffisante.



AVERTISSEMENT: Débranchez toujours l'appareil pour le nettoyer ou le ranger et débranchez la fiche secteur de la prise si l'appareil ne doit pas être utilisé pendant un certain temps. Pour débrancher l'appareil, ne jamais tirer sur le câble, mais sur la fiche elle-même. Enlevez aussi de l'appareil les accessoires spéciaux éventuellement installés

- Ne pas ranger l'appareil directement près des sources de chaleur.
- Ne laissez pas l'appareil en marche sans surveillance. Si vous quittez la zone d'utilisation, éteignez l'appareil ou retirez la fiche secteur de la prise (pour cela, ne tirez pas sur le câble, mais sur la fiche).
- N'utilisez pas l'appareil si vous êtes sous l'effet de médicaments, de l'alcool ou d'une drogue, si vous avez un traitement médical en cours ou si vous êtes fatigué.
- Assurez-vous que le câble ne présente pas le risque de faire trébucher les enfants et que les enfants n'ont pas accès à l'appareil.
- Vérifiez régulièrement que l'appareil et le câble d'alimentation ne sont pas abîmés. N'utilisez pas un appareil endommagé.
- Si le cordon d'alimentation est endommagé, il faut le faire remplacer par un service agréé de SPARKY.
- N'essayez pas de réparer l'appareil vous-même. La réparation de ces appareils électriques ne peut être

effectuée que par des spécialistes qualifiés dans les services autorisés de SPARKY avec pièces de rechange d'origine. Une réparation incorrecte peut constituer une source de danger pour le consommateur.

- Utilisez uniquement des pièces de rechange et accessoires d'origine SPARKY. L'utilisation de des pièces d'une autre marque peut constituer une source de danger et entraîner l'annulation de la garantie.
- Vérifiez assez souvent le flotteur.
- Si vous constatez une fuite de liquide sur votre appareil, arrêtez-le immédiatement et débranchez la fiche secteur.
- Ne posez jamais l'appareil dans l'eau. Veuillez à ce qu'il n'y ait pas d'eau qui coule sur l'appareil.
- Lors de l'élimination de l'eau souillée, respectez les dispositions légales.
- Rangez toujours l'appareil dans un endroit sec et sûr hors de la portée des enfants.
- Maintenez l'appareil propre. Pour le nettoyage, n'utilisez ni solvants, ni produits de nettoyage contenant des solvants.

Prière de respecter particulièrement les consignes de sécurité particulières ci-dessous.

CONSIGNES DE SÉCURITÉ PARTICULIÈRES

- N'aspirez pas ni cendres incandescentes ni objets pointus ou tranchants.
- N'utilisez pas l'appareil dans les locaux humides.
- N'utilisez pas l'appareil sans sac à poussière (sauf pour aspirer du liquide). Veillez à ce que le sac à poussière soit toujours placé correctement dans l'appareil.
- Lors de l'utilisation de l'appareil, veillez à ce que la brosse ou le suceur de l'appareil n'aspire pas la chevelure de quelqu'un ou un vêtement.
- Maintenez l'aspirateur moins des sources de chaleur telles que radiateurs, poêle, etc.
- Pour la bonne exploitation de cet appareil vous devez respecter les consignes de sécurité et les présentes instructions générales d'exploitation. Tous les consommateurs doivent connaître le présent mode d'emploi et être informés sur les risques potentiels lors de l'utilisation de l'appareil.
- Les enfants et les personnes handicapées ou très âgées n'ont souvent pas conscience des risques qui peuvent résulter de la manipulation des appareils électriques. Ne jamais laisser les personnes mentionnées ci-dessus se servir de cet appareil. Il est obligatoire d'entreprendre des mesures préventives de sécurité. Ceci est valable également pour le respect des règles principales de la santé professionnelle et de la sécurité.
- Le fabricant n'est pas tenu responsable pour des modifications sur l'appareil apportées par le consommateur ou avaries causées par ces modifications.

IV - Présentation de l'appareil électrique

1. Poignée
2. Interrupteur

3. Interrupteur pour choix du mode (VC 1430MS)
4. Partie supérieure
5. Flotteur
6. Logement des filtres
7. Contact incorporé (VC 1430MS)
8. 2 petites roulettes
9. Attaches
10. Cuve
11. Fixation du flexible
12. 2 grandes roulettes
13. Flexible ensemble
14. Rallonge
15. Bec combiné pour planchers et tapis (VC 1430MS)
16. Raccordement de la soufflerie
17. Bec fente
18. Filtre cartouche
19. Filtre en mousse
20. Pochette filtrante
21. Orifice d'aspiration (VC 1430MS)
22. Adaptateur (VC 1430MS)
23. Poignée régulant la puissance d'aspiration (VC 1430MS)
24. Sac à poussière
25. Bec principal (VC 1220M)
26. Support pour rallonge
27. Vis

DÉBALLAGE

Selon les technologies de production générales adoptées, il est peu probable que votre nouvel appareil soit endommagé ou qu'il manque de pièces. Si vous remarquez que quelque chose qui ne va pas, n'utilisez pas l'appareil électrique jusqu'à ce que la pièce endommagée ne soit pas remplacée ou le défaut ne soit pas éliminé. La non exécution de cette prescription peut entraîner un accident de travail grave.

Déballer avec précaution le contenu du carton.

1. Saisissez les attaches de cuve (9), qui maintiennent la partie supérieure (4) dans sa position et relevez celles-ci (Fig.1).
2. Dégagez les attaches de cuve, enlevez la partie supérieure (Fig.2) et sortez le contenu de la cuve.

Vérifiez à l'aide de la liste ci-dessus que toutes les pièces soient présentes et intactes à l'issue du transport.

MONTAGE

- Assurez-vous que l'appareil est débranché.
- Saisissez les attaches de cuve, qui maintiennent la partie supérieure dans sa position et relevez celles-ci (Fig.1).
- Dégagez les attaches de cuve et soulevez la partie supérieure vers le haut (Fig.2).
- Glissez la poignée par en haut sur la partie supérieure. Veuillez à ce que le guide de fixation de la poignée soit introduit dans le support de la poignée (Fig.3) du bon côté.
- Fixez la poignée sur la partie supérieure avec les deux vis. Serrez les vis à la main (Fig.4).
- Retournez la cuve sens dessus dessous.
- Insérez les quatre roulettes (8, 12) dans les guides situés sur le fond de la cuve (Fig.5).
- Vérifiez que les roulettes soient entièrement insérées

- dans les guides.
- Fixez les roulettes avec les quatre vis restantes. Serrez les vis à la main (Fig.6).
- Installez le filtre convenable.
- Remettez la partie supérieure sur la cuve (Fig.7).
- Ajustez la partie supérieure avec les attaches de cuve (Fig.8).
- Attachez les attaches à la partie supérieure et les appuyez dessus jusqu'à ce qu'il soit solidement en place.
- Emboîtez l'extrémité la plus grosse du flexible (13) dans l'orifice d'aspiration avant de la cuve.
- Sélectionnez l'embout convenable (15, 17, 25) ou la rallonge (14) et emboîtez-les sur le flexible (13), (Fig.10).
- Après utilisation et nettoyage de l'appareil, rangez les accessoires en les replaçant dans les logements appropriés sur l'aspirateur (Fig.11).

V - Instructions d'exploitation

Ces appareils électriques sont alimentés de tension alternative monophasée. Le modèle VC 1220M est de double isolation conformément à la norme EN 60335-1 et peut être attaché à des prises sans bornes de sécurité. Le modèle VC 1430MS être attaché à des prises avec des bornes de sécurité. Pour ce qui est des interférences radio, il est conforme aux la directive sur la compatibilité électromagnétique 2004/108/EC.

Le modèle VC 1430MS est destiné à aspirer de poussière en utilisant des 'outillages électroportatifs. Dans ce but VC 1430MS il possède une prise incorporée (7), dans laquelle est posée la fiche secteur du cordon d'alimentation de l'outillage électroportatif. Lors que l'interrupteur de l'outillage est branché, l'aspirateur se branche automatiquement. Lors que l'outillage est débranché, l'aspirateur se débranche automatiquement après un certain temps.

AVANT DE COMMENCER L'EXPLOITATION

- Assurez-vous que la tension du réseau électrique répond aux informations indiquées sur la plaque des caractéristiques techniques de l'appareil électrique.
- Assurez-vous que le cordon d'alimentation et la fiche secteur ne soient pas endommagés. Si le cordon d'alimentation est endommagé, vous devez le faire remplacer par le fabricant ou par son spécialiste de service afin d'éviter d'éventuelles situations dangereuses causées par le remplacement.
- Lisez, comprenez et respectez les consignes au point "Consignes de sécurité en exploitation avec aspirateur".

ASPIRATION DES POUSSIÈRES



AVERTISSEMENT: N'aspirez jamais de substances dangereuses.

L'utilisation d'un sac à poussière inadapté entraîne l'annulation de la garantie.

- Assurez-vous que l'appareil n'est pas relié au secteur.
- Retirez avec précaution la pochette filtrante au-dessus du logement des filtres.
- Vérifiez que la pochette filtrante recouvre bien entièrement le logement des filtres. Vérifiez aussi que tous les angles de la pochette filtrante soient maintenus par l'élastique.
- Faites glisser le sac à poussière sur l'orifice d'aspiration de la cuve (Fig.14). Veillez à ne pas endommager le sac à poussière (Fig.15).
- Remettez la partie supérieure sur la cuve et refermez les attaches de cuve (Fig.7), (Fig.8).
- Emboîtez l'extrémité la plus grosse du flexible dans l'orifice d'aspiration avant de la cuve (Fig.9).
- Sélectionnez l'embout convenable (15, 17, 25) ou la rallonge (14); et emboîtez-les sur le flexible (13) sur l'appareil.
- Assurez-vous que l'interrupteur (2) de l'appareil soit en position "ARRET" (repère "O") avant de brancher la fiche secteur dans la prise.
- Insérez la fiche secteur dans la prise.
- Mettez le moteur en marche (interrupteur sur le repère "I").
- Quand vous avez fini d'aspirer la poussière, arrêtez le moteur en ramenant l'interrupteur (2) en position "ARRET" (repère "O").
- Débranchez la fiche secteur.

Vérifiez régulièrement le sac à poussière (24) et remplacez-le quand il est rempli aux 2/3. Le sac est conçu de telle manière que seul l'air et non la poussière peut traverser le papier. C'est la raison pour laquelle on ne peut pas réutiliser un sac à poussière usagé.

RECOMMANDATION: n'utilisez pas le sac à poussière pour aspirer des objets tranchants ou mouillés.

Filtre cartouche

Lorsque vous utilisez un filtre cartouche il n'est pas nécessaire de mettre le sac à poussière.

Emboîtez le filtre cartouche (18) dans le logement du filtre (6) (Fig.16a). Fermez le logement du filtre par serrant le couvercle de fixation. Après un usage prolongé, il est possible de le nettoyer en le tapotant ou en utilisant un pinceau (Fig.16b).

Pour nettoyage de béton ou autres matériaux dégageant de poussière fine, ainsi qu'en mode automatique

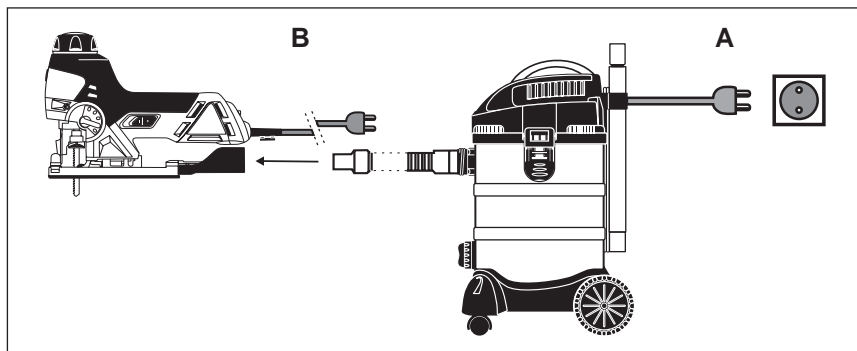
(VC 1430MS), tapotez et nettoyez le filtre cartouche régulièrement. Ceci est une condition préalable pour un fonctionnement fiable et pour l'exploitation durable de votre aspirateur. Si vous remarquez que la puissance d'aspiration diminue ou vous constatez que le filtre cartouche est endommagé, remplacez le plus rapidement possible.

MODE AUTOMATIQUE D'EXPLOITATION D'APPAREILS ELECTRIQUES (VC 1430MS)

- Débranchez la fiche secteur du cordon d'alimentation de l'aspirateur.
- Ouvrez les attaches de cuve et enlevez la partie supérieure.
- Vérifiez que la cuve (10) soit exempte de poussière ou de saletés.
- Mettez le filtre cartouche (18), convenable à l'utilisation, sur le logement des filtres et serrez le couvercle de fixation sur le logement, remettez la partie supérieure de l'aspirateur sur la cuve et attachez les attaches de cuve (Fig.16).
- Posez l'interrupteur de l'outillage en position ARRET (repère "O").
- Relier l'adaptateur de l'aspirateur (22) à l'orifice d'aspiration de l'outillage électroportatif (Fig.17).
- Reliez l'outillage à la prise incorporée de l'aspirateur
- Branchez la fiche secteur du cordon d'alimentation de l'aspirateur au réseau d'alimentation.
- Mettez l'interrupteur de l'aspirateur (2) en position MARCHE (repère "I").
- Mettez l'interrupteur pour choix du mode (3) en position (repère "=").
- Branchez l'interrupteur de l'outillage.

L'aspirateur se branche automatiquement au moment du branchement de l'outillage. Lors que vous débranchez l'outillage électroportatif l'aspirateur se débranche dans un certain temps.

	A (Tension)	B (Puissance consommée)
EU	230 V	2100 W
RU	220V	2000 W



ASPIRATION DES LIQUIDES



AVERTISSEMENT: N'aspirez jamais de substances dangereuses.

- Assurez-vous que l'appareil n'est pas relié au secteur
- Vérifiez que la cuve (10) soit exempt de poussière ou de saletés.
- Retirez le filtre cartouche monté (18), qui n'est pas convenable pour aspiration des liquides.
- Retirez le sac à poussière (24) et la pochette filtrante (20) après avoir fini de les utiliser (VC 1220M).
- Laissez le filtre en mousse (19) (Fig.12) sur le logement des filtres.
- Remettez la partie supérieure sur la cuve refermez les attaches de cuve (Fig.7), (Fig.8).
- Emboîtez l'extrémité la plus grosse du flexible dans l'orifice d'aspiration avant de la cuve (Fig.9).
- Sélectionnez l'embout (15, 17, 25) ou la rallonge (14) emboîtez-les sur le flexible (13), (Fig.10).
- Assurez-vous que l'interrupteur (2) de l'appareil soit en position ARRET (repère "O") avant de brancher la fiche secteur dans la prise.
- Insérez la fiche secteur dans la prise.
- Mettez le moteur en marche en ramenant l'interrupteur (2) en position "I".
- Quand vous avez fini d'aspirez le liquide, arrêtez le moteur en ramenant l'interrupteur (2) en position ARRET "O" (repère "O").
- Débranchez la fiche secteur.
- Après avoir fini, videz et nettoyez la cuve (10).

Recommandation: Si vous voulez aspirer de grandes quantités de liquide d'un évier ou d'un réservoir, ne plongez pas la totalité de la buse d'aspiration dans le liquide, mais laissez un peu d'espace pour que l'air puisse être aspiré en même temps que le liquide.

L'appareil est équipé d'un flotteur (5) (Fig.18), qui bloque l'aspiration quand la cuve est pleine. Vous remarquerez l'arrêt de l'aspiration au fait que le moteur tourne alors plus vite. Si le cas se produit, arrêtez de suite l'appareil et débranchez la fiche secteur.

Veillez noter que la cuve peut devenir très lourde une fois pleine.

Enlevez la partie supérieure de la cuve (21) et videz le liquide dans un déversoir de la canalisation. Remettez la partie supérieure et vous pouvez alors recommencer à aspirer.

Après avoir aspiré le liquide, arrêtez l'appareil et débranchez la fiche secteur. Videz la cuve, puis nettoyez l'appareil et séchez-le à l'intérieur et à l'extérieur avant de le ranger.

IMPORTANT! Après avoir aspiré du liquide, procédez de la manière indiquée au chapitre "Aspiration des poussières" avant de pouvoir aspirer à nouveau des poussières.

ACCESSOIRES

MODÈLE	VC 1220M	VC 1430MS
Flexible ensemble	•	•
Rallonge en plastique en 2 parties	•	
Rallonge en métal chromé		•
Sac à poussière	•	•
Pochette filtrante	•	
Filtre en mousse	•	•
Filtre cartouche en polyester		•
Filtre cartouche en cellulose	•	
Elastique	•	
Bec principal	•	
Embout combiné		•
Bec fente	•	•
Poignée régularisant la puissance d'aspiration		•
Adaptateur de aux outillages électroportatifs		•
Roulettes	2 petites + 2 grandes	2 petites + 2 grandes



AVERTISSEMENT: Utilisez uniquement des pièces de rechange et accessoires SPARKY. L'utilisation de pièces de rechange et des accessoires d'une autre marque peut constituer une source de danger et entraîner l'annulation de la garantie.

VI - Maintenance

- Assurez-vous que l'appareil n'est pas relié au secteur.
- Débranchez le flexible (13) de la cuve.
- Dégagez les attaches de cuve (Fig.1) et enlevez la partie supérieure (Fig.2).
- Retirez toutes les saletés et les résidus de la cuve et du flexible.
- Nettoyez le filtre en mousse (19) en le lavant dans une eau légèrement savonneuse.
- Vérifiez que les tuyaux, les raccordements et le cordon d'alimentation ne soient pas abîmés.
- Enlevez le filtre en mousse (19), vérifiez le flotteur (5). Pour cela, saisissez la partie supérieure par la poignée et retournez-la avec précaution de manière que le logement du filtre soit tourné vers le haut. Le flotteur doit pouvoir se déplacer librement vers le haut et vers le bas (Fig.18).



AVERTISSEMENT: N'utilisez pas d'alcool, de pétrole ou d'autres solvants. Ne jamais utiliser de produits corrodants pour nettoyer des pièces en plastique.



AVERTISSEMENT: Ne laissez pas de l'eau entrer en contact avec l'appareil.

IMPORTANT! Afin d'assurer l'exploitation de sécurité avec l'appareil électrique et sa fiabilité, la réparation, la maintenance et l'ajustement doivent être effectués dans les services autorisés de SPARKY et utiliser les pièces de rechange d'origine.

PROBLEMES POSSIBLES ET LEUR ELIMINATION

Problèmes constatés	Raison probable	Moyens d'élimination du problème
L'appareil ne fonctionne pas.	Pas de courant	Vérifier l'alimentation électrique
	Dysfonctionnement dans le cordon d'alimentation, l'interrupteur ou le moteur	Vérifier, réparer ou remplacer la pièce défectueuse.
	Cuve pleine de liquide	Vider la cuve.
La poussière s'échappe du couvercle du moteur	Sac à poussière manquant ou abîmé	Installez un sac à poussière ou remplacez-le.
Puissance d'aspiration plus faible et régime moteur plus élevé / vibrations	Sac à poussière plein	Remplacez le sac à poussière.

VII - Garantie

La garantie des appareils électriques SPARKY est définie dans la carte de garantie.

Toutes défectuosités survenues suite à l'usage naturelle surchargement ou exploitation incorrecte, sont exclues des obligations de garantie.

Toutes défectuosités survenues suite au matériel de qualité basse et/ou erreurs de production, sont éliminées sans paiement complémentaire, par remplacement ou réparation.

La réclamation d'appareil électrique défectueux SPARKY est reconnue s'il est retourné au fabricant ou représenté au service autorisé en état primaire.

Recommandations

Lisez attentivement toute cette instruction d'utilisation avant de commencer à vous servir de l'outil.

Le fabricant se réserve le droit d'apporter des modifications à ses articles et aux spécifications sans avertissement.

Les spécifications peuvent être différentes pour les différents pays.

Indice

I	- Introduzione	25
II	- Caratteristiche tecniche	27
III	- Avvertenze di sicurezza per l'uso di aspirapolvere/aspiraliquidi	27
IV	- Elementi dell' apparecchio.....	A/28
V	- Uso dell'aspirapolvere	29
VI	- Manutenzione	31
VII	- Garanzia	32

I - Introduzione

Questo apparecchio SPARKY supererà le Vostre aspettative. La produzione secondo i rigorosi standard di qualità SPARKY assicura un'ottima prestazione. Se utilizzato correttamente, l'apparecchio risulterà maneggevole e sicuro, e garantirà un uso duraturo.



AVVERTENZA:

Leggere attentamente tutte le istruzioni prima dell'utilizzo di questo apparecchio SPARKY. Prestare particolare attenzione alle parti introdotte da "Attenzione!". Questo apparecchio SPARKY presenta numerose caratteristiche che faciliteranno il Suo lavoro. Sicurezza, qualità ed affidabilità sono punti chiave nello sviluppo di questo apparecchio, e lo rendono semplice nell'uso e nella manutenzione.



Non smaltire elettrodomestici insieme a rifiuti domestici!

Residui di prodotti elettrici devono essere smaltiti separatamente dai rifiuti domestici e sottoposti ad un riciclaggio ecologico. Si prega di informarsi presso le autorità locali o i rivenditori autorizzati circa il più vicino luogo di raccolta.



RISPETTO DELL'AMBIENTE

Macchina, accessori ed imballaggio devono essere destinati ad una riutilizzazione ecologica per il recupero di materie prime.

I componenti in plastica sono contrassegnati per relativo riciclaggio.

SIMBOLI

L'etichetta che si trova sulla macchina contiene alcuni simboli. Questi forniscono importanti informazioni sull'apparecchio o istruzioni sull'uso dello stesso.



Doppio isolamento per ulteriore sicurezza



1a classe di isolamento, elettrotensile collegato a conduttore neutro.



Aspiraliquidi



Corrisponde alle direttive europee applicabili



Conforme alla normativa russa



Conforme alla normativa ucraina



Osservare le istruzioni

YYYY-Www

Periodo di produzione, ove i simboli variabili sono:

YYYY – l'anno di produzione, ww – la settimana di calendario consecutiva

VC

ASPIRAPOLVERE/ASPIRALIQUIDI

II - Caratteristiche tecniche

MODELLO:	VC 1220M	VC 1430MS
• Potenza	1250 W	1400 W
• Potenza motore max	1500 W	1700 W
• Potenza max disponibile alla presa elettroutensile	–	2000 W
• Capienza nominale	20 l	30 l
• Materiale serbatoio	acciaio INOX	acciaio INOX
• Capienza sacco raccogli-polvere	20 l	30 l
• Depressione max	15 kPa	17 kPa
• Flusso d'aria max	55 l/s	57 l/s
• Flusso d'aria max secondo EN 60312	27 l/s	30 l/s
• Funzione automatica con elettroutensile	no	si
• Apirali-liquidi	si	si
• Regolazione del flusso d'aria	no	si
• Diametro del tubo flessibile	36 mm	36 mm
• Lunghezza tubo	1.5 m	2.5 m
• Lunghezza cavo	4 m	7.5 m
• Raggio d'azione	6 m	11 m
• Peso (secondo normativa EPTA 01/2003)	5.8 kg	8.8 kg
• Grado di protezione	IP 24	IP 24
• Classe di isolamento	□ / II	⊕ / I
• Valori di emissione acustica (determinati secondo la normativa EN 60704):		
Misurazione A del livello di pressione acustica L_{pA}	79 dB(A)	81 dB(A)
Misurazione A del livello di potenza acustica L_{WA}	93 dB(A)	95 dB(A)



Indossare cuffie di protezione!

III - Avvertenze di sicurezza per l'uso di aspirapolvere/ aspirali-liquidi



ATTENZIONE! Questo apparecchio è conforme alle norme di sicurezza per elettroutensili. Leggere tutte le istruzioni d'uso e le avvertenze di sicurezza. L'inosservanza delle istruzioni seguenti può causare folgorazioni, incendi e/o gravi danni a persone e di conseguenza invalidare i termini di garanzia.

Conservare questo manuale per usi futuri!



AVVERTENZA: Accertarsi che il voltaggio della presa di corrente corrisponda al valore indicato sull'etichetta del prodotto riportante i dati tecnici.

- Se in dubbio, non inserire la spina nella presa di corrente.
- L'uso di una presa con voltaggio maggiore di quello specifico per l'apparecchio può provocare gravi danni a persone o all'apparecchio stesso.
- L'uso di una presa con voltaggio inferiore a quello specifico per l'apparecchio è dannoso per il motore.
- L'apparecchio non è progettato per aspirare sostanze infiammabili o nocive per la salute dell'utente.
- L'apparecchio è progettato per il solo uso in ambiente domestico o privato. Il modello VC 1430MS è proget-

tato per aspirare la polvere generata dal l'uso di un elettroutensile.

- Non utilizzare l'apparecchio all'aperto se non progettato specificatamente a tale scopo.
- Non lasciare l'apparecchio esposto ad agenti atmosferici (pioggia, gelo, sole, etc.).
- Non immergere l'apparecchio in liquidi e prestare particolare attenzione al pericolo di danni causati da oggetti taglienti.
- Non utilizzare mai l'apparecchio con mani bagnate o umide. Staccare immediatamente la spina se l'apparecchio si bagna o diventa umido durante il funzionamento.
- Se si utilizza l'apparecchio in ambienti umidi, avvalersi di una presa RDC (salvavita), così facendo si riduce il rischio di scosse.
- Non utilizzare la macchina per scopi diversi da quelli indicati in queste istruzioni. L'uso per qualsiasi altra finalità sarà considerato uso improprio. In tal caso sarà l'utente e non l'azienda produttrice ritenuto responsabile di eventuali danni o lesioni.
- Non tenere il tubo davanti al viso (specialmente davanti agli occhi, le orecchie, etc.) e non indirizzarlo contro persone e/o animali.
- Assicurarsi che l'apposito sacco raccogli-polvere sia inserito correttamente nel serbatoio prima di avviare l'apparecchio. L'uso di un sacco diverso o incorrettamente inserito può danneggiare l'apparecchio ed invalidare così i termini di garanzia.
- Non aspirare ceneri, carboni ardenti o simili, così come grandi pezzi di vetro e parti taglienti.
- Non aspirare polvere proveniente da cartucce per

stampanti o fotocopiatrici, in quanto è conduttore di corrente elettrica. Inoltre potrebbe non venire filtrato completamente attraverso il sistema di filtraggio dell'apparecchio e quindi fuoriuscire dal ventilatore.

- Non aspirare liquidi infiammabili o velenosi come benzina, petrolio, acidi o altre sostanze volatili.
- Non aspirare liquidi a temperatura maggiore di 60°C o altre polveri velenose o infiammabili.
- Non aspirare amianto o polvere derivanti.
- Durante il funzionamento non riporre l'apparecchio orizzontalmente. Nel caso di uso su scale assicurarsi che l'apparecchio si trovi in posizione bilanciata e stabile.



AVVERTENZA! Spegnerne l'apparecchio e togliere sempre la spina dalla rete di alimentazione elettrica immediatamente dopo l'uso e prima di eseguire qualsiasi intervento di pulizia, manutenzione. Non utilizzare il cavo per staccare la spina dalla presa. Staccare tutti gli accessori dall'apparecchio prima di riporlo in magazzino.

- Tenere l'aspirapolvere lontano da fonti di calore.
 - Non lasciare mai l'apparecchio in funzione senza sorvegliarlo. Se si abbandona l'area di lavoro spegnere l'apparecchio o togliere la spina dalla presa di corrente (non utilizzando il cavo, ma afferrando la spina stessa).
 - Non utilizzare l'apparecchio se sotto l'effetto di droghe, alcol e medicinali, o in caso di stanchezza.
 - Assicurarsi che il cavo non sia di intralcio nonché tenere a distanza bambini e terzi durante il funzionamento.
 - Verificare regolarmente le condizioni dell'elettrotensile in uso con l'apparecchio e del suo cavo. Non utilizzare elettrotensili difettosi.
 - In caso di cavo di alimentazione danneggiato recarsi immediatamente presso un centro autorizzato SPARKY e richiederne la riparazione.
 - Non effettuare riparazioni da sé. Tali operazioni devono avere luogo solo in centri autorizzati SPARKY utilizzando parti di ricambio originali. Riparazioni incorrette potrebbero causare serie lesioni all'utente.
 - Utilizzare parti di ricambio ed accessori originali SPARKY. Parti o accessori non originali potrebbero risultare dannosi e invalidare così i termini di garanzia.
 - Controllare regolarmente il galleggiante.
 - In caso del liquido fuoriesca dall'apparecchio, spegnerlo immediatamente e staccare la spina dalla presa di corrente.
 - Non immergere in acqua. Assicurarsi che non vi sia dell'acqua sull'apparecchio.
 - Osservare le norme vigenti sullo smaltimento dell'acqua residua.
 - Riporre l'apparecchio in locali asciutti, sicuri e fuori dalla portata dei bambini.
 - Tenere sempre pulito l'apparecchio. Non utilizzare solventi o detersivi che possano contenere tali sostanze.
- Prestare particolare attenzione alle seguenti "ulteriori avvertenze di sicurezza"

ULTERIORI AVVERTENZE DI SICUREZZA

- Non aspirare ceneri ardenti, nonché oggetti appuntiti o taglienti.
- Non utilizzare l'apparecchio in luoghi umidi.
- È severamente vietato l'uso dell'apparecchio senza apposito sacco raccogli-polvere (fuorché non si aspirino liquidi). Prima dell'uso assicurarsi che il sacco sia inserito correttamente.
- Durante l'uso, assicurarsi che capelli, vestiti o arti non vengano aspirati.
- Tenere l'apparecchio lontano da fonti di calore, come stufe, forni, etc.
- Per un utilizzo corretto di questo apparecchio è necessario osservare le avvertenze di sicurezza, le norme supplementari e le istruzioni d'uso fornite in questo opuscolo. Tutti gli utenti della macchina devono aver letto queste istruzioni e devono essere a conoscenza degli eventuali rischi.
- Bambini, disabili e persone anziane non sono spesso consci dei pericoli derivanti dall'uso di apparecchi elettrici, e pertanto non devono maneggiare l'apparecchio. È assolutamente necessario attenersi alle disposizioni di prevenzione dagli infortuni, così come alle norme di sicurezza sul lavoro vigenti nella Sua area.
- L'azienda produttrice non è responsabile di danni derivanti da modifiche apportate dall'utente nonché da uso improprio o scorretto.

IV - Elementi dell'apparecchio

1. Maniglia
2. Interruttore ON/OFF
3. Interruttore per funzionamento automatico (VC 1430MS)
4. Testa di aspirazione
5. Galleggiante
6. Gabbia prefiltro
7. Presa per elettrotensile (VC 1430MS)
8. Rotelle anteriori
9. Ganci di chiusura
10. Serbatoio
11. Raccordo entrata aria
12. Ruote posteriori
13. Tubo flessibile
14. Tubo telescopico
15. Spazzola snodata per pavimenti (VC 1430MS)
16. Griglia uscita aria
17. Bocchetta a lancia
18. Filtro a cartuccia
19. Filtro-mousse per sostanze liquide
20. Filtro in tessuto per polveri
21. Apertura di scarico (VC 1430MS)
22. Adattatore per elettrotensili (VC 1430MS)
23. Impugnatura con regolazione flusso d'aria (VC 1430MS)
24. Sacco raccogli-polvere
25. Bocchetta di aspirazione piatta (VC 1220M)
26. Chiera blocca-cavo
27. Viti

PRIMA DELL'USO

Prima dell'uso verificare la presenza di tutti i componenti e degli accessori elencati. In caso di mancanze o apparenti difetti rivolgersi al rivenditore specializzato. L'inservanza di tale raccomandazione potrebbe provocare gravi incidenti.

Aprire lo scatolone ed estrarre con cura i suoi contenuti.

1. Spingere i ganci di chiusura (9) verso l'esterno, sbloccando così la testa di aspirazione (4) (Fig.1).
2. Rimuovere la testa di aspirazione (4) (Fig.2), ed estrarre le parti presenti nel serbatoio.

Verificare la presenza di tutte le parti confrontandole con la lista precedentemente riportata, ed accertarsi che siano integre.

MONTAGGIO

- Assicursarsi che la spina non sia inserita nella presa di corrente.
- Spingendoi ganci di chiusura (9) verso l'esterno, sbloccando la testa di aspirazione (4) (Fig.1).
- Rimuovere la testata (4) (Fig.2).
- Applicare la maniglia (1) sulla testa di aspirazione (4). Assicursarsi che la maniglia sia inserita correttamente nelle guide (Fig.3).
- Fissare la maniglia (1) con 2 viti (in dotazione) stringendole il più possibile (Fig.4).
- Capovolgere il serbatoio (10) così che la testa di aspirazione (4) appoggi a terra.
- Inserire le ruote e le rotelle (8, 12) nelle apposite guide ai piedi del serbatoio (Fig.5).
- Controllare che le ruote e le rotelle (8, 12) siano inserite completamente nelle apposite guide.
- Fissare le ruote e le rotelle (8, 12) con le viti rimanenti.
- Stringere le viti il più possibile (Fig.6).
- Inserire il filtro appropriato per il tipo di aspirazione necessaria.
- Riporre la testa di aspirazione (4) (Fig.7).
- Allineare la testa di aspirazione (4) ai ganci di chiusura (9) (Fig.8).
- Bloccare la testa di aspirazione (4) facendo scattare i ganci di chiusura (9).
- Inserire l'estremità del tubo flessibile (13) nell'apposito raccordo di entrata aria (11) posizionato sul serbatoio (Fig.9).
- Fissare la bocchetta desiderata (15, 17, 25) o il tubo telescopico (14) al tubo flessibile (13) (Fig.10).
- Dopo l'uso e la pulizia dell'apparecchio, riporre gli accessori negli appositi supporti (Fig.11).

V - Uso dell'aspirapolvere

Questo apparecchio è azionato da corrente alternate monofase. Il modello VC 1220M dispone di un doppio isolamento in conformità alla norma EN 60335-1 e può essere collegato a prese di corrente con o senza messa a terra. Il modello VC 1430MS, invece, deve essere collegato esclusivamente a prese con messa a terra.

Questo apparecchio è conforme alle norme europee sulla schermatura EN 55014-1, EN 55014-2, EN 61000-3-2, EN 61000-3-3.

Il modello VC 1430MS è progettato per aspirare la polvere generata dall'uso di un elettroutensile. A tale scopo è dotato di una presa (7), dove inserire la spina dell'elettroutensile. L'aspirapolvere si accenderà automaticamente con l'accensione dell'elettroutensile. Quando si spegne l'elettroutensile l'apparecchio funziona ancora per qualche secondo, dopodiché si spegnerà.

PRIMA DELLA MESSA IN SERVIZIO

- Accertarsi che il voltaggio della presa di corrente corrisponda al valore indicato sull'etichetta del prodotto riportante i dati tecnici.
- Assicursarsi che il cavo e la spina siano in ottimo stato. In caso la sostituzione del cavo in dotazione sia necessaria, ciò deve essere effettuato dall'azienda produttrice o in un centro autorizzato di modo da evitare alcun rischio.
- Leggere attentamente ed osservare le istruzioni riportate nella sezione "Avvertenze di sicurezza per l'uso di aspirapolvere/aspiraliquidi".

UTILIZZO COME ASPIRAPOLVERE



ATTENZIONE! Non aspirare sostanze nocive alla salute.

L'uso di un sacco raccogli-polvere inadatto invalida i termini di garanzia.

- Assicursarsi che la spina non sia inserita nella presa di corrente.
- Rimuovere la testata di aspirazione (4) ed porre il filtro in tessuto (20) sulla gabbia prefiltro (6).
- Verificare che il filtro in tessuto copra completamente la gabbia prefiltro (6) e stringendolo in cima accertarsi che tutti gli angoli del filtro siano ben tirati.
- Posizionare il sacco raccogli-polvere (24) nel serbatoio, inserire la flangia in plastica nel raccordo di entrata aria (11) (Fig.14), e premere affinché questa non si blocchi (Fig.15) evitando durante l'operazione di danneggiare il sacco.
- Riposizionare la testa di aspirazione (4) sul serbatoio e bloccarla con i ganci di chiusura (9) (Fig.7), (Fig.8).
- Inserire l'estremità del tubo flessibile (13) nell'apposito raccordo di entrata aria (11) posizionato sul serbatoio (Fig.9).
- Fissare la bocchetta desiderata (15, 17, 25) o il tubo telescopico (14) al tubo flessibile (13).
- Prima di inserire la spina nella presa di corrente assicurarsi che l'interruttore ON/OFF (2) sia in funzione OFF, indicata dal simbolo "O".
- Inserire la spina nella presa.
- Avviare il motore (posizionando l'interruttore ON/OFF sul simbolo "I").
- Dopo l'uso spegnere il motore posizionando l'interruttore (3) in funzione OFF, indicata dal simbolo "O".
- Togliere la spina dalla presa.

Controllare il sacco raccogli-polvere (24) regolarmente e cambiarlo quando i materiali aspirati abbiano raggiunto i 2/3 della capienza. Il sacco è progettato in modo tale da far penetrare solo aria e non polvere. Pertanto è sconsigliato il riutilizzo dello stesso sacco più volte.

AVVERTENZA: Evitare l'uso del sacco raccogli-polvere (24) per materiali taglienti o umidi.

Filtro a cartuccia

Quando si utilizza il filtro a cartuccia (18) non è necessario il sacco raccogli-polvere.

Posizionare il filtro a cartuccia (18) sulla gabbia prefiltro (6) (Fig.16a) e fissarlo con l'apposito coperchio (Fig. 16b). Per pulirlo è sufficiente scuoterlo o spazzolarlo.

Se il filtro viene utilizzato per aspirare polvere di cemento o di materiali simili, oppure durante la funzione automatica con elettro utensile (VC 1430MS), il filtro a cartuccia (18) deve essere pulito e spazzolato più frequentemente. Questo costituisce un prerequisito fondamentale per un ottimo e duraturo uso dell'aspirapolvere. Se la forza di aspirazione dovesse diminuire o in caso il filtro sia danneggiato, è necessario sostituirlo immediatamente.

FUNZIONE AUTOMATICA CON ELETTROUTENSILE (VC 1430MS)

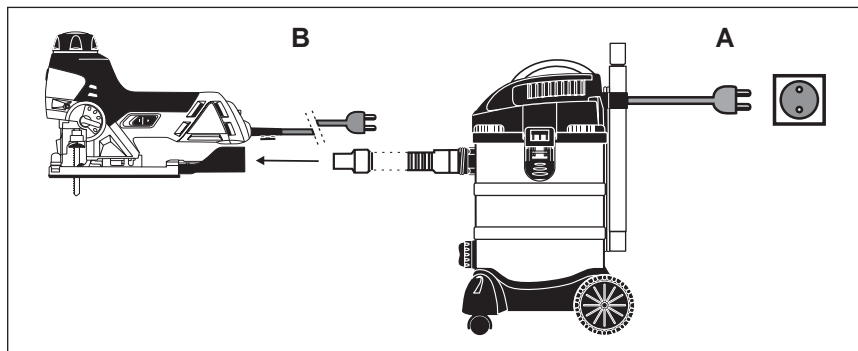
- Assicurarsi che la spina dell'apparecchio non sia inserita nella presa di corrente.
- Aprire i ganci di chiusura (9) e rimuovere la testa di aspirazione (4).
- Accertarsi che il serbatoio (10) non contenga polvere o altri materiali.
- Porre il filtro a cartuccia (18) adatto per il lavoro da svolgere sulla gabbia prefiltro (6) e fissarlo con l'ap-

sito coperchio. Riporre la testa di aspirazione (4) sul serbatoio (10) e bloccarla mediante i ganci di chiusura (9) (Fig.16c).

- Posizionare l'interruttore ON/OFF dell'utensile da utilizzare in funzione OFF (simbolo "O").
- Inserire l'adattatore (22) ed il tubo nell'apposito attacco dell'elettro utensile (Fig.17).
- Inserire la spina dell'utensile nell'apposita presa (7) sull'apparecchio.
- Inserire la spina dell'aspirapolvere nella presa di corrente.
- Posizionare l'interruttore ON/OFF (2) dell'aspirapolvere in funzione ON (simbolo "I").
- Impostare l'interruttore per il funzionamento automatico (3) in posizione "=".
- Azionare l'elettro utensile.

L'aspirapolvere si accenderà automaticamente con l'accensione dell'elettro utensile. Quando si spegne l'elettro utensile l'apparecchio funziona ancora per qualche secondo, dopodiché si spegnerà.

	A (Carica)	B (Potenza)
EU	230 V	2100 W
RU	220V	2000 W



UTILIZZO COME ASPIRALIQUIDI



ATTENZIONE! Non aspirare materiali pericolosi.

- Assicurarsi che la spina dell'apparecchio non sia inserita nella presa di corrente.
- Accertarsi che il serbatoio (10) non contenga polvere o altri materiali.
- Non utilizzare il filtro a cartuccia (18) per l'aspirazione di liquidi!
- Rimuovere il sacco raccogli-polvere (24) e il filtro in tessuto (20) se utilizzati precedentemente.
- Lasciare soltanto il filtro-mousse per sostanze liquide (19) (Fig.10) sulla gabbia prefiltro (6).

- Riporre la testa di aspirazione (4) sul serbatoio e bloccarla mediante i ganci di chiusura (9) (Fig.7), (Fig.8).
- Inserire l'estremità del tubo flessibile (13) nell'apposito raccordo di entrata aria (11) posizionato sul serbatoio (Fig.9).
- Fissare la bocchetta desiderata (15, 17, 25) o il tubo telescopico (14) al tubo flessibile (13) (Fig.10).
- Accertarsi che l'interruttore ON/OFF (2) dell'apparecchio sia in funzione OFF, indicata dal simbolo "O", prima di inserire la spina nella presa di corrente.
- Inserire la spina nella presa.
- Avviare il motore posizionando l'interruttore ON/OFF (2) sul simbolo "I".
- Una volta terminato il lavoro, spegnere l'apparecchio posizionando l'interruttore ON/OFF (2) in posizione OFF (simbolo "O").

- Staccare la spina.
- Dopo l'uso, svuotare e pulire il serbatoio (10).

AVVERTENZA: Per aspirare grandi quantità di liquido da un lavandino o un recipiente si consiglia di non immergere completamente la bocchetta a lancia, onde assicurare un parziale afflusso d'aria.

L'apparecchio è provvisto di un galleggiante (5) (Fig.18) che impedisce di aspirare quando il serbatoio è pieno. L'utente avverte l'assenza di aspirazione dall'incremento del numero di giri del motore. Spegnerne immediatamente l'apparecchio e staccare la spina.

Un serbatoio pieno può essere molto pesante, prestare attenzione.

Rimuovere il tappo dell'apertura di scarico (21) e versare il liquido in un contenitore adatto o in un canale di scarico. Per proseguire il lavoro riporre il tappo sull'apertura di scarico (21).

Una volta terminato il lavoro spegnere l'apparecchio e staccare la spina. Svuotare e pulire il serbatoio (10), sia internamente che esternamente.

IMPORTANTE! Dopo aver utilizzato l'apparecchio come aspiraliquidi, procedere come indicato nella sezione "Utilizzo come aspirapolvere" prima di ricominciare ad utilizzarlo per aspirare polveri.

ACCESSORI

MODELLO	VC 1220M	VC 1430MS
Tubo flessibile	•	•
2 prolunghe rigide in plastica	•	
Tubo telescopico in plastica		•
Sacco raccogli-polvere	•	•
Filtro in tessuto	•	
Filtro-mousse per materiali liquidi	•	•
Filtro a cartuccia in poliestere		•
Filtro a cartuccia in cellulosa	•	
Bocchetta di aspirazione piatta	•	
Spazzola snodata per pavimenti		•
Bocchetta a lancia	•	•
Impugnatura con regolazione flusso d'aria		•
Adattatore per elettrotensili		•
Ruote	2 rotelle + 2 ruote	2 rotelle + 2 ruote



ATTENZIONE! Utilizzare solo accessori SPARKY originali. L'uso di accessori o parti di ricambio non originali potrebbero causare dei rischi ed invalidano i termini di garanzia.

VI - Manutenzione

- Assicurarsi che la spina dell'apparecchio non sia inserita nella presa di corrente.
- Rimuovere il tubo flessibile (13) dal serbatoio.
- Allentare i ganci di chiusura (Fig.1) e rimuovere testa di aspirazione (4) dal serbatoio (Fig.2).
- Rimuovere tutta la polvere e i materiali residui rimasti nel serbatoio (10) e nel tubo flessibile (13).
- Pulire il filtro-mousse per materiali liquidi (19) lavandolo con un detersivo delicato.
- Assicurarsi che il tubo, i raccordi e il cavo non siano danneggiati.
- Rimuovere il filtro-mousse per materiali liquidi () e controllare il galleggiante (5). A questo scopo capovolgere la testa di aspirazione (4) così che il galleggiante sia posto verso l'alto. Il galleggiante (5) deve muoversi senza intoppi dall'alto verso il basso e viceversa (Fig.18).



ATTENZIONE! Non usare trielina, solventi o altri detersivi abrasivi.



ATTENZIONE! Il gruppo elettrico non deve entrare in contatto con acqua o altri liquidi.

IMPORTANTE! Per garantire la sicurezza e l'affidabilità dell'apparecchio, riparature, lavori di manutenzione ed altre regolazioni (incluso il controllo e l'eventuale sostituzione delle spazzole) devono essere effettuate da centri di assistenza SPARKY autorizzati, dove vengono adoperate solo parti originali.

EVENTUALI PROBLEMI

Effetto	Probabile causa	Rimedio
L'apparecchio non funziona.	Mancanza di corrente	Verificare la presa di corrente
	Cavo di alimentazione elettrica, interruttore o motore difettosi	Rivolgersi al centro di assistenza autorizzato
	Serbatoio pieno	Svuotare il serbatoio
La polvere esce dalle griglie di uscita d'aria.	Sacco raccogli-polvere mancante o danneggiato	Inserire un sacco raccogli-polvere o sostituire quello esistente
Il motore aumenta notevolmente il numero di giri e il flusso d'aria diminuisce.	Sacco raccogli-polvere o serbatoio pieno	Sostituire il sacco o svuotare il serbatoio

VII - Garanzia

Il periodo di garanzia per gli utensili SPARKY ha validità a partire dalla data di acquisto ed è conforme alle normative europee.

Non sono coperti da garanzia danni derivanti da usura, sovraccarico o uso improprio.

L'azienda produttrice assicura la sostituzione di tutte le parti non funzionanti in cui si riconoscano difetti di materiale e/o di lavorazione.

Le prestazioni di garanzia saranno erogate solo se la macchina richiesta sarà inviata in condizioni integre al rivenditore o ad un centro di assistenza, accompagnata dallo scontrino fiscale.

Ulteriori informazioni

Leggere attentamente tutte le istruzioni sull'uso prima di adoperare questo prodotto.

L'azienda produttrice si riserva il diritto di apportare modifiche tecniche senza preavviso.

LE SPECIFICHE TECNICHE POSSONO VARIARE DA PAESE A PAESE.

Contenido

I	- Introducción	33
II	- Datos técnicos	35
III	- Instrucciones de seguridad al operar con aspiradoras	35
IV	- Componentes principales del electrodoméstico	A/37
V	- Instrucciones de operación	37
VI	- Mantenimiento	40
VII	- Garantía	41

I - Introducción

El electrodoméstico SPARKY que acaba de adquirir superará sus expectativas, ya que ha sido fabricado según las altas normas de calidad de SPARKY, respondiendo a los más rigurosos requerimientos del usuario. Su mantenimiento fácil y es seguro a la hora de explotarse. Si se usa correctamente, este electrodoméstico funcionará con fiabilidad durante muchos años.



¡ADVERTENCIA!

Antes de usar el electrodoméstico SPARKY que acaba de adquirir, lea atenta e íntegramente estas instrucciones de explotación. Preste especial atención a los textos encabezados por la palabra "Advertencia". Su electrodoméstico SPARKY posee muchas cualidades que facilitarán su trabajo. Al elaborarse este electrodoméstico, se ha prestado mayor atención a la seguridad, a las cualidades de explotación y a la fiabilidad, que facilitan su mantenimiento y explotación.



¡No tire los electrodomésticos junto con los residuos domésticos!

Los residuos de artículos eléctricos no deben recogerse junto con los residuos domésticos. Por favor, recíclelos en los lugares destinados a ello. Póngase en contacto con las autoridades locales o un representante suyo para consultar respecto al reciclaje.



PROTECCIÓN DEL MEDIO AMBIENTE

Con miras a la protección del medio ambiente, este electrodoméstico, sus accesorios y el envase han de someterse a un tratamiento adecuado para que se reutilicen las materias primas que contienen. Para facilitar el reciclaje de las piezas fabricadas de materiales artificiales, éstas han sido indicadas mediante en la respectiva forma.

DESCRIPCIÓN DE LOS SÍMBOLOS

En la placa de características técnicas del electrodoméstico se han estampado los símbolos especiales que contienen información importante sobre el artículo o las instrucciones para su uso.



Doble aislamiento de protección adicional



Electrodoméstico con clase de protección I de corriente eléctrica: con puesta a cero de protección



Aspiradora de limpieza en húmedo



Conformidad con las directrices europeas aplicables



Compatibilidad con los requisitos de los documentos normativos rusos



Compatibilidad con los requisitos de los documentos normativos ucranianos



Lea las instrucciones de explotación

YYYY-Www

Período de producción en que los símbolos variables son:
YYYY - año de producción, ww – semana natural consecutiva

VC

ASPIRADORA DE LIMPIEZA EN HÚMEDO/SECO

II - Datos técnicos

MODELO:	VC 1220M	VC 1430MS
• Potencia consumida	1250 W	1400 W
• Potencia máxima de aspiración	1500 W	1700 W
• Potencia máxima de la herramienta eléctrica conectada a la aspiradora	—	2000 W
• Capacidad del depósito	20 l	30 l
• Material del depósito	acero inoxidable	acero inoxidable
• Capacidad del saco colector de polvo	20 l	30 l
• Potencia máxima de aspiración	15 kPa	17 kPa
• Débito máximo	55 l/s	57 l/s
• Débito según la norma EN 60312	27 l/s	30 l/s
• Régimen de trabajo automático con herramientas eléctricas	no	sí
• Aspiración de líquidos	sí	sí
• Regulación del caudal de aire	no	sí
• Diámetro de la manguera	Ø32 mm	Ø32 mm
• Longitud de la manguera	1,5 m	2,5 m
• Longitud del cable	4 m	7,5 m
• Radio del área de operación	6 m	11 m
• Peso (EPTA Procedure 1/2003)	5,8 kg	8,8 kg
• Grado de protección	IP 24	IP 24
• Clase de protección	□ / II	⊕ / I
• Emisión de ruido (los valores se han medido según la norma EN 60704):		
A-nivel determinado de presión sonora L_{pA}	79 dB(A)	81 dB(A)
A-nivel determinado de potencia sonora L_{wA}	93 dB(A)	95 dB(A)



¡Utilice medios de protección contra el ruido!

III - Instrucciones de seguridad al operar con aspiradoras



ADVERTENCIA: Este electrodoméstico cumple las normas obligatorias de seguridad relativas a los artículos eléctricos. Para evitar el riesgo de ocasionar lesiones, el usuario debe leer estas instrucciones de explotación. Léanse todas las instrucciones. En caso de no atenderse a las instrucciones que se enumeran a continuación, se podrán ocasionar accidentes y/o daños materiales, y ello anulará la garantía.

¡Guarde estas instrucciones para consultarlas en el futuro!



ADVERTENCIA: Observe si la tensión de la red eléctrica corresponde a la indicada en la placa de características técnicas del electrodoméstico.

- No conecte el electrodoméstico en caso de no estar seguro respecto a la tensión de la red eléctrica.
- Cuando la tensión de alimentación sea más alta que la nominal, ello podrá ocasionar traumas graves al usuario, y el electrodoméstico podrá dañarse.
- Cuando la tensión de alimentación sea más baja que la nominal, el motor eléctrico se dañará.

- El electrodoméstico está destinado a aspirar materiales que no son peligrosos para la salud y no son inflamables.
- Este electrodoméstico ha sido concebido sólo y exclusivamente para usarse en condiciones domésticas y en el taller doméstico. El modelo VC 1430MS está concebido para aspirar polvo al operar con herramientas eléctricas.
- No use el electrodoméstico a la intemperie (a no ser que haya sido concebido expresamente para trabajar a la intemperie).
- Proteja el electrodoméstico de la acción del calor, de la luz solar directa o de la humedad elevada (por ejemplo, de la lluvia).
- No sumerja el electrodoméstico en líquidos. Protéjalo de los bordes agudos que puedan dañarlo.
- No opere con el electrodoméstico cuando sus manos estén mojadas o húmedas. Si el electrodoméstico llega a mojarse o humedecerse durante la operación, retire inmediatamente el enchufe de la toma de corriente. No sumerja el electrodoméstico en el agua.
- Al operar con la aspiradora en un entorno húmedo, utilice un dispositivo de protección accionado mediante corriente eléctrica residual para interrumpir la alimentación. El uso de un dispositivo de protección reduce el riesgo de ocasionar lesiones a raíz de la corriente eléctrica.
- El electrodoméstico debe usarse solamente conforme al propósito con que ha sido concebido. Cualquier otro uso distinto del que se describe en estas instrucciones, se considera uso incorrecto. La responsabilidad por

cualquier daño o lesión originados por el uso incorrecto se asumirá por el usuario, y no por el fabricante.

- No dirija nunca las aberturas de conexión del electrodoméstico hacia su rostro (sobre todo hacia los ojos, las orejas, etc.). No dirija nunca el terminal hacia personas o animales.
- Antes de empezar a operar con el electrodoméstico, convénzase de que en el portaherramientas haya sido colocado un saco colector de polvo apropiado y fijado correctamente. Cuando el saco colector de polvo haya sido fijado inadecuado o incorrectamente, se podrá dañar el electrodoméstico y anularse la garantía.
- No aspire hollín, carbón caliente, etc., así como grandes trozos de vidrio roto y objetos agudos.
- No aspire polvo de tóner para impresoras o fotocopiadoras, dado que el tóner es un material termorretráctil. Además, es posible que el polvo del tóner no pueda ser retenido completamente por el sistema de filtración de la aspiradora de limpieza en húmedo/seco, y desprenderse en el aire a través del ventilador de aire de salida.
- No se deben limpiar líquidos inflamables o venenosos, como gasolina, petróleo, ácidos u otras sustancias volátiles.
- No se deben aspirar líquidos cuya temperatura sea superior a 60°C, así como cualquier tipo de polvo venenoso o inflamable.
- No se debe limpiar amianto ni polvo de amianto.
- No coloque nunca el electrodoméstico recostado de un lado. Preste especial atención a la posición horizontal y a la estabilidad del electrodoméstico al operar en una escalera.



ADVERTENCIA: Desconecte siempre el electrodoméstico, y saque el enchufe de la toma de corriente después de terminar de operar, antes de limpiarlo y cambiar los filtros y los accesorios, así como antes de transportar o guardar el electrodoméstico. No saque nunca el enchufe tirando del cable. Desmonte todos los accesorios del electrodoméstico antes de guardarlo.

- El electrodoméstico no debe guardarse en proximidad directa a fuentes de calor.
- No deje nunca la aspiradora sin vigilancia cuando esté funcionando. Si se debe alejar del área de trabajo, desconecte primero la aspiradora o saque el enchufe de la toma de corriente (saque el enchufe sin tirar del cable).
- No opere nunca con el electrodoméstico cuando esté bajo los efectos de fármacos, alcohol o drogas, ni cuando esté sometido a un tratamiento o cuando esté cansado.
- Procure que el cable se encuentre en un lugar donde nadie pueda tropezar con él. No permita que los niños tengan acceso al electrodoméstico.
- Revise con regularidad el buen estado del electrodoméstico y del cable de alimentación. No opere con electrodomésticos que sean defectuosos.
- Si el cable de alimentación está dañado, la sustitución de éste deberá efectuarse en un servicio autorizado de SPARKY.

- No intente reparar el electrodoméstico Ud. mismo. La reparación de estos electrodomésticos deberá efectuarse solamente por especialistas cualificados en los centros de servicio autorizados de SPARKY, utilizando piezas de recambio originales. La reparación incorrecta puede ser la causa de que surjan graves peligros para el usuario.
- Utilice solamente accesorios originales de SPARKY. El uso de piezas o accesorios que no sean originales es un peligro potencial y anula la garantía.
- Revise regularmente el flotador.
- Si se observa un derrame de líquido del electrodoméstico, desconéctelo inmediatamente, y saque el enchufe de la toma de corriente.
- No sumerja el electrodoméstico en el agua. Procure que no se haya derramado agua sobre el electrodoméstico.
- Al tirar el agua que se ha aspirado, observe el cumplimiento de las disposiciones legales.
- Guarde el electrodoméstico en un lugar seguro y seco, fuera del alcance de los niños.
- Mantenga siempre la aspiradora limpia. No se deben usar disolventes ni detergentes de limpieza que contengan disolventes.

Por favor, preste suma atención a los requisitos especiales de seguridad que se enumeran a continuación.

REQUISITOS ESPECIALES DE SEGURIDAD

- No se deben aspirar hollines calientes, ni objetos con bordes o extremos agudos.
- No se debe operar con el electrodoméstico en locales húmedos.
- No se debe operar con la aspiradora sin el saco colector de polvo (salvo en los casos de limpieza en húmedo). Asegúrese de que el saco colector de polvo haya sido colocado correctamente.
- Observe que durante la operación el pelo, la vestimenta o partes de éstos no vayan a ser aspirados.
- Proteja la aspiradora de fuentes de calor, como radiadores, hornos, etc.
- Para explotar correctamente este electrodoméstico, se deben observar las normas de seguridad, las instrucciones generales y las directrices de operación que se indican aquí. Cada usuario debe conocer estas instrucciones de explotación, así como estar informado acerca de los riesgos potenciales al operar con el electrodoméstico.
- Los niños, los minusválidos y las personas de edad avanzada frecuentemente no se percatan de los peligros que se originan al operar con electrodomésticos. Los grupos de personas que se indican anteriormente no deben operar con la herramienta eléctrica. Es obligatorio adoptar también medidas de seguridad preventivas. Esto se refiere asimismo al cumplimiento de las principales normas de salud profesional y seguridad.
- El fabricante no asume responsabilidad por las modificaciones en la herramienta eléctrica, que hayan sido efectuadas por el usuario o por los daños que se hayan ocasionado a raíz de estas modificaciones.
- El electrodoméstico no debe utilizarse a la intemperie cuando esté lloviendo, en un entorno húmedo (después de llover) o cerca de líquidos y gases fácilmente

inflamables. El puesto de trabajo debe estar bien iluminado.

IV - Componentes principales del electrodoméstico

1. Asa
2. Interruptor
3. Interruptor de selección de regímenes (VC 1430MS)
4. Tapa
5. Flotador
6. Soporte de filtros
7. Toma de corriente eléctrica incorporada (VC 1430MS)
8. 2 pequeñas ruedecillas de rodillo
9. Cierres
10. Depósito
11. Fijación de la manguera
12. 2 grandes ruedecillas de rodillo
13. Juego de mangueras
14. Tubo telescópico
15. Terminal combinado para suelos y alfombras (VC 1430MS)
16. Abertura para comprimir aire
17. Terminal estrecho para ranuras y juntas
18. Filtro de pliegues
19. Filtro de masa plástica espumada
20. Filtro de limpieza en seco
21. Abertura de desagüe (VC 1430MS)
22. Adaptador (VC 1430MS)
23. Asa de regulación de la fuerza de aspiración (VC 1430MS)
24. Saco colector de polvo
25. Terminal para revestimientos de suelos duros (VC 1220M)
26. Mecanismo de fijación del tubo telescópico
27. Tornillos

DESENVASE

Según las tecnologías de producción generalmente aceptadas, es poco probable que el electrodoméstico que acaba de adquirir sea defectuoso o que le falte alguna pieza. Si observa algún desperfecto, no opere con el electrodoméstico hasta que no se haya sustituido la pieza dañada o hasta que el defecto no haya sido eliminado. El incumplimiento de esta recomendación puede conducir a graves accidentes de trabajo. Desempaque cuidadosamente el contenido de la caja.

1. Sujete los dos cierres (9) que sostienen la tapa (4), doblándolos hacia arriba (Fig. 1).
2. Afloje los cierres, retire la tapa (Fig.2) y saque el contenido del depósito.

Por favor, observe que todas las piezas enumeradas en el listado anterior existen, asegurándose de que estén disponibles, y que durante el transporte no se hayan producido daños.

MONTAJE

- Procure que el enchufe haya sido sacado de la toma de corriente.
- Sujete los dos cierres que sostienen la tapa, doblándolos hacia arriba (Fig.1).
- Desbloquee los cierres, levantando la tapa hacia arriba y hacia afuera (Fig.2).
- Ponga el asa sobre la tapa desde la parte superior. Procure que el mecanismo de fijación del asa haya sido colocado en la caja del asa (Fig.3) por el lado correcto.
- Fije el asa a la tapa con ambos tornillos. Atiese los tornillos manualmente (Fig.4).
- Voltee el depósito por el lado opuesto de modo que la tapa se quede abajo.
- Ponga las cuatro ruedecillas de rodillo (8 y 12) en las ranuras en el fondo del depósito (Fig.5).
- Averigüe si las ruedecillas han entrado hasta el tope en las ranuras.
- Fije las ruedecillas con los demás tornillos.
- Atiese los tornillos manualmente (Fig.6).
- Coloque un filtro apropiado para la operación que va a efectuar.
- Coloque la tapa nuevamente sobre el depósito (Fig.7).
- Nivele la tapa con los cierres (Fig.8).
- Cuelgue los cierres a la tapa y apretándolos hacia abajo hasta que se oiga un chasquido.
- Coloque el extremo ancho de la manguera (13) en la abertura de aspiración anterior del depósito.
- Seleccione el terminal apropiado (15, 17, 25) o el tubo telescópico (14), colocándolos en la manguera (13) (Fig. 10).
- Después de terminar la operación y de haber limpiado el electrodoméstico, guarde sus accesorios, colocándolos en los respectivos mecanismos de fijación de la aspiradora (Fig. 11).

V - Instrucciones de operación

Estos electrodomésticos se alimentan mediante tensión de corriente eléctrica monofásica alterna. El modelo VC 1220M posee doble aislamiento, según la norma EN 60335-1, y puede conectarse a tomas de corriente sin bornes de protección. El modelo VC 1430MS debe conectarse a una toma de corriente con bornes de protección. Las radiointerferencias corresponden a la Directiva de Compatibilidad Electromagnética 2004/108/CE. El modelo VC 1430MS está destinado a aspirar también el polvo al operar con herramientas eléctricas. Con este propósito, el modelo VC 1430MS posee una toma de corriente eléctrica incorporada (7) en la que se introduce el enchufe del cable de alimentación de la herramienta eléctrica. Al conectar el interruptor de la herramienta eléctrica, la aspiradora se pondrá en funcionamiento automáticamente. Al desconectar la herramienta eléctrica, la aspiradora se desconectará también al cabo de cierto tiempo.

ANTES DE EMPEZAR A OPERAR

- Observe si la tensión de la red eléctrica corresponde a la que se indica en la placa de características técni-

cas del electrodoméstico.

- Convéngase de que el cable de alimentación y el enchufe se encuentran en buen estado. Si el cable de alimentación está dañado, éste deberá sustituirse por el fabricante o por un técnico de servicio suyo para evitar los peligros relativos a esta sustitución.
- Lea, familiarícese y siga las instrucciones del apartado "Instrucciones de seguridad al operar con aspiradoras".

LIMPIEZA EN SECO



ADVERTENCIA: No se deben limpiar sustancias nocivas para la salud.

El uso de un saco colector de polvo inapropiado anula la garantía.

- Asegúrese de que el electrodoméstico no esté conectado a la red de alimentación.
- Tire cuidadosamente del filtro de limpieza en seco (20) por encima del soporte de filtros (6) (Fig. 13).
- Coloque el anillo de apriete (8) sobre el filtro de limpieza en seco, presionándolo hacia abajo hasta el reborde de la tapa (Fig. 13).
- Revise si el filtro de limpieza en seco cubre completamente el soporte de filtros. Asegúrese de que el anillo de apriete esté fijando todos los ángulos del filtro de limpieza en seco.
- Revista el saco colector de polvo sobre la abertura de unión de la manguera del depósito (Fig.14). Apriételo hasta que haya entrado con un chasquido (Fig.15). Mientras esté efectuando esta operación, procure que no se dañe el saco colector de polvo.
- Coloque nuevamente la tapa sobre el depósito, cerrando los cierres (Fig.7), (Fig.8).
- Coloque el extremo ancho de la manguera sobre la abertura de aspiración frontal del depósito (Fig.9).
- Seleccione el terminal necesario (15, 17, 25) o el tubo telescópico (14), uniéndolo a la manguera (13), uniéndolo también el extremo de la manguera a la abertura de aspiración del electrodoméstico.
- Observe que el interruptor (2) del electrodoméstico esté en posición de desconexión "O" antes de introducir el enchufe del cable de alimentación en la toma de corriente.
- Introduzca el enchufe en la toma de corriente.
- Conecte el motor eléctrico (el interruptor está en posición "I").
- Después de terminar de limpiar, desconecte el motor eléctrico, poniendo el interruptor (2) en la posición de desconexión "O".
- Saque el enchufe de la toma de corriente.

Observe regularmente el saco colector de polvo (24) y sustitúyalo cuando se hayan llenado hasta 2/3 de su volumen. El saco colector de polvo se ha diseñado de modo que el papel deje pasar solamente aire, y no polvo. Por esta razón, un saco colector de polvo usado no puede emplearse dos veces.

OBSERVACIÓN: No utilice el saco colector de polvo al aspirar objetos de bordes agudos u objetos mojados.

Filtro de pliegues

Cuando esté operando con un filtro de pliegues, no es necesario colocar el saco colector de polvo.

Coloque el filtro de pliegues (18) sobre el soporte de filtros (6) (Fig. 16a). Cierre el soporte de filtros (6) con la tapa de fijación, girándola (Fig. 16b). Después de un uso continuo, el filtro deberá limpiarse, sacudiéndolo o cepillándolo.

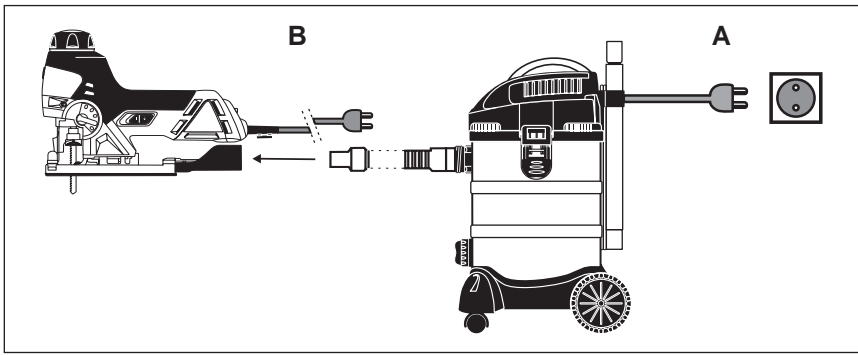
Al limpiar hormigón u otros materiales similares que desprenden polvo fino, así como en régimen de funcionamiento automático, cuando se opera con herramientas eléctricas (VC 1430MS) el filtro de pliegues deberá cepillarse y sacudirse con mayor frecuencia. Ello es una premisa importante para un trabajo seguro y la explotación duradera de su aspiradora. Si observa que la fuerza de aspiración disminuye o que el filtro de pliegues se ha dañado, éste deberá sustituirse inmediatamente por otro nuevo.

RÉGIMEN AUTOMÁTICO AL OPERAR CON HERRAMIENTAS ELÉCTRICAS (VC 1430MS)

- Saque el enchufe del cable de alimentación de la aspiradora de la toma de corriente.
- Abra los cierres y retire la tapa.
- Observe que el depósito (10) haya sido vaciado del polvo y de la basura.
- Coloque el filtro de pliegues (18) apropiado para la operación que se está realizando en el soporte de filtros, y enrosque la tapa sobre el soporte. Coloque nuevamente la tapa de la aspiradora sobre el depósito, cerrando los cierres (Fig. 16c).
- Ponga el interruptor de la herramienta eléctrica con la que va a operar en la posición de desconexión "O".
- Conecte el adaptador de la aspiradora (22) a la evacuación de polvo de la herramienta eléctrica (Fig.17).
- Conecte la herramienta eléctrica a la toma de corriente incorporada a la aspiradora.
- Conecte el enchufe del cable de alimentación de la aspiradora a la red de alimentación.
- Ponga el interruptor de la aspiradora (2) en la posición de conexión "I".
- Ponga el interruptor de selección de regímenes (3) en la posición "=".
- Conecte el interruptor de la herramienta eléctrica.

La aspiradora se conectará automáticamente en el momento en que la herramienta eléctrica se ponga en funcionamiento. Cuando la herramienta eléctrica se desconecte, la aspiradora también se desconectará al cabo de cierto tiempo.

	A (tensión)	B (potencia)
EU	230 V	2100 W
RU	220V	2000 W



LIMPIEZA EN HÚMEDO



ADVERTENCIA: No se deben limpiar sustancias nocivas para la salud.

- Procure que el enchufe del cable de alimentación del electrodoméstico haya sido retirado de la toma de corriente.
- Observe que el depósito (10) haya sido vaciado del polvo y de la basura.
- Retire el filtro de pliegues montado en fábrica (18), ya que no es apropiado para la limpieza en húmedo.
- Retire el saco colector de polvo (24) y el filtro de limpieza en seco (20), si antes ha operado con éstos (VC 1220M).
- Deje el filtro de masa plástica espumada (19) (Fig. 12) sobre el soporte de filtros.
- Coloque nuevamente la tapa sobre el depósito, abrochando los cierres (Fig. 7), (Fig. 8).
- Coloque el extremo ancho de la manguera sobre la abertura de aspiración frontal del depósito (Fig. 9).
- Seleccione el terminal (15, 17, 25) o el tubo telescópico (14) necesario, colocándolo en la manguera (13) (Fig. 10).
- Convénzase de que el interruptor del electrodoméstico (2) se encuentra en la posición de desconexión "O" antes de colocar el enchufe del cable de alimentación en la toma de corriente.
- Introduzca el enchufe del cable de alimentación en la toma de corriente.
- Ponga el interruptor (2) en la posición "I" para conectar el motor eléctrico.
- Cuando haya terminado con la limpieza en húmedo, desconecte la aspiradora, poniendo el interruptor (2) en la posición de desconexión "O".
- Saque el enchufe del cable de alimentación de la toma de corriente.
- Después de terminar la operación, vacíe y limpie el depósito (10).

Recomendación: Si se tiene que aspirar una gran cantidad de líquido de un lavabo o de un tanque, no ponga el terminal completo en el líquido; deje una parte del terminal libre para garantizar la aspiración de aire junto con el líquido.

El electrodoméstico está provisto de un flotador (5) (Fig. 18), que desconecta la aspiradora cuando el depósito se haya llenado. Se dará cuenta de que la aspiración ha terminado por el hecho de que las revoluciones del motor eléctrico aumentarán. En este caso, desconecte el electrodoméstico y saque el enchufe del cable de la toma de corriente.

Deberá darse cuenta de que el depósito lleno resulta demasiado pesado.

Retire la tapa de la abertura de desagüe (21), vaciando el resto del líquido en un recipiente adecuado o en el alcantarillado. Coloque nuevamente la tapa en la abertura de desagüe, pudiendo continuar posteriormente la operación.

Después de terminar la limpieza en húmedo, desconecte el electrodoméstico y saque el enchufe del cable de la toma de corriente. Vacíe el depósito, limpiándolo/secándolo por dentro y por fuera antes de guardarlo.

¡IMPORTANTE! Después de una limpieza en húmedo y antes de pasar nuevamente a una limpieza en seco, cumpla los requisitos que se indican en el apartado "Limpieza en seco".

ACCESORIOS

MODELO	VC 1220M	VC 1430MS
Juego de mangueras	•	•
Tubo de plástico de 2 partes	•	
Tubo telescópico de metal cromado		•
Saco colector de polvo	•	•
Filtro de limpieza en seco	•	
Filtro de masa plástica espumada	•	•
Filtro de pliegues de poliéster		•
Filtro de pliegues de celulosa	•	

MODELO	VC 1220M	VC 1430MS
Terminal para revestimientos de suelos duros	•	
Terminal combinado		•
Terminal para juntas	•	•
Asa de regulación de la fuerza de aspiración		•
Adaptador para conectar a herramientas eléctricas		•
Ruedecillas de rodillo	2 pequeñas + 2 grandes	2 pequeñas + 2 grandes



ADVERTENCIA: Utilice solamente accesorios originales de SPARKY. El uso de piezas o accesorios que no sean originales representa un peligro potencial y anula la garantía.

VI - Mantenimiento

- Asegúrese de que el enchufe del cable de alimentación del electrodoméstico haya sido sacado de la toma de corriente.
- Saque la manguera (13) del depósito.

- Desbloquee los cierres (*Fig.1*) y retire la tapa del depósito (*Fig.2*).
- Limpie básicamente el depósito y la manguera de la basura y de los residuos que se hayan acumulado.
- Limpie el filtro de masa plástica espumada (19), lavándolo con un detergente suave.
- Revise la manguera y las aberturas de empalme, y asegúrese de que el cable de alimentación no se haya dañado.
- Después de retirar el filtro de masa plástica espumada (19), revise el flotador (5). Para realizar estas operaciones, sostenga la tapa por el asa, girándola cuidadosamente de modo que el soporte del filtro indique hacia arriba. El flotador debe moverse libremente hacia arriba y hacia abajo (*Fig.18*).



ADVERTENCIA: No utilice alcohol, gasolina ni otros disolventes. No utilice nunca detergentes corrosivos para limpiar las piezas de plástico.



ADVERTENCIA: El agua no debe entrar en contacto con el electrodoméstico.

¡IMPORTANTE! Para garantizar un trabajo seguro con el electrodoméstico y su fiabilidad, todas las operaciones relativas a su reparación, mantenimiento y regulación deben efectuarse por los centros de servicio autorizados de sparky, utilizando sólo piezas de recambio originales.

POSIBLES DEFECTOS Y SU ELIMINACIÓN

Defecto constatado	Motivo posible	Forma de eliminarlo
El electrodoméstico no funciona.	Falta de alimentación.	Revise la tensión de alimentación.
	Rechazo funcional en el cable de alimentación, el interruptor o el motor eléctrico.	Revise, repare o sustituya la pieza dañada.
	El depósito está lleno de líquido.	Vacíe el depósito.
De la tapa del motor eléctrico sale polvo.	Falta o se ha dañado el saco colector de polvo.	Coloque o sustituya el saco colector de polvo por otro nuevo.
Baja potencia de aspiración y altas revoluciones del motor eléctrico / vibraciones.	El saco colector de polvo está lleno.	Cambie el saco colector de polvo.

VII - Garantía

El plazo de garantía de los electrodomésticos SPARKY se determina en la tarjeta de garantía.

Los defectos que hayan surgido como consecuencia del desgaste natural, sobrecarga o explotación incorrecta quedan excluidos de las obligaciones de garantía.

Los defectos que hayan surgido como consecuencia del empleo de materiales de baja calidad y/o errores de producción, se eliminan sin pago adicional, sustituyéndose o reparándose.

La reclamación de un electrodoméstico defectuoso de SPARKY se reconoce cuando haya sido devuelto al proveedor o haya sido presentado en un centro de servicio de garantía autorizado en su estado inicial (sin haber sido desmontado).

Observaciones

Lea atentamente todo el manual del uso antes de utilizar este producto.

El fabricante se reserva el derecho de introducir mejoras y modificaciones en sus artículos, así como cambiar las especificaciones sin advertir.

Es posible que las especificaciones técnicas varíen de un país a otro.

Conteúdo

I	- Introdução	42
II	- Dados técnicos	44
III	- Instruções de segurança do trabalho com aspiradores	44
IV	- Conhecimento da ferramenta	A/45
V	- Instruções para o trabalho	46
VI	- Manutenção	48
VII	- Garantia	49

I - Introdução

A ferramenta eléctrica SPARKY recém-adquirida por Você vai ultrapassar as Suas esperanças. Ela foi fabricada de acordo com os elevados critérios de qualidade da marca SPARKY os quais vão de encontro com as exigências mais rigorosas do utente. É fácil de assistência e seguro para o uso. Ao ser correctamente usada, esta ferramenta eléctrica vai-lhe servir com segurança longos anos.



ADVERTÊNCIA!

Leia atentamente toda a instrução para o uso, antes de iniciar o trabalho com a Sua nova ferramenta eléctrica SPARKY. Preste especial atenção aos textos que começam com a palavra “Advertência!”. O Sua ferramenta eléctrica SPARKY possui muitas qualidades que hão-de facilitar o Seu trabalho. Na concepção desta ferramenta foi prestada maior atenção à segurança, às qualidades de exploração e a confiança que oferece, coisas que o fazem fácil para manutenção e exploração.



Não deitar para o lixo artefactos eléctricos junto com o lixo comum!

Os resíduos de artefactos eléctricos não se devem juntar com o lixo comum. É favor de reciclá-los nos lugares destinados a esse fim. Contacte com as autoridades locais ou seu representante competente para consultar acerca da reciclagem.



PROTECÇÃO DO MEIO AMBIENTE

Em vista da protecção do meio ambiente, a ferramenta eléctrica, os acessórios e a embalagem têm de ser submetidos a reciclagem adequada para nova utilização das matérias primas que neles existem. Para facilitar a reciclagem, as peças produzidas de materiais sintéticos são devidamente marcadas.

DESCRIÇÃO DOS SÍMBOLOS

Sobre a chapa das características da ferramenta eléctrica são marcados símbolos especiais. Eles fornecem uma importante informação sobre o produto, bem como instruções para o seu uso.



Duplo isolamento para protecção adicional



Ferramenta eléctrica com classe de segurança I para protecção contra corrente eléctrica – com ligação à terra



Aspirador de limpeza a molhado



Conformidade com as directrizes europeias aplicáveis



Conformidade com as exigências dos documentos normativos russos



Conformidade com as exigências dos documentos normativos ucranianos



Conheça a instrução de exploração

YYYY-Www Período de fabrico, onde os símbolos variáveis são:
YYYY - ano de fabrico, **ww** – a respectiva semana corrente do calendário

VC ASPIRADOR DE LIMPEZA A SECO / MOLHADO

II - Dados técnicos

MODELO:	VC 1220M	VC 1430MS
• Consumo de energia	1250 W	1400 W
• Potência máxima de aspiração	1500 W	1700 W
• Potência máxima da ferramenta ligada ao aspirador	—	2000 W
• Capacidade do contentor	20 l	30 l
• Material do contentor	aço inox	aço inox
• Capacidade do saco da poeira	20 l	30 l
• Força máxima de aspiração	15 kPa	17 kPa
• Débito máximo	55 l/s	57 l/s
• Débito máximo consoante EN 60312	27 l/s	30 l/s
• Regime automático de trabalho com ferramentas eléctricas	não	sim
• Extração de líquidos	sim	sim
• Regulação do fluxo de ar	não	sim
• Diâmetro da mangueira	Ø32 mm	Ø32 mm
• Comprimento da mangueira	1,5 m	2,5 m
• Comprimento do cabo	4 m	7,5 m
• Rádio da zona operacional	6 m	11 m
• Peso (EPTA procedimento 1/2003)	5,8 kg	8,8 kg
• Nível de segurança	IP 24	IP 24
• Classe de segurança	□ / II	⊕ / I
• Emissão de ruído (os valores foram calculados de acordo com EN 60704):		
A-nível calculado de pressão sonora L _{pa}	79 dB(A)	81 dB(A)
A-nível calculado de potência sonora L _{wa}	93 dB(A)	95 dB(A)



Use meios de protecção do ruído!

III - Instruções para a segurança do trabalho com aspiradores



ADVERTÊNCIA: Esta ferramenta eléctrica vai de encontro com as prescrições obrigatórias de segurança do trabalho com ferramentas eléctricas. Para evitar o risco de traumatismos, o utente tem de ler a instrução para a exploração. Ler todas as instruções. O incumprimento das instruções enumeradas a seguir pode provocar acidente e/ou dano de bens e vai anular a garantia.

Guarde estas instruções para uso no futuro!



ADVERTÊNCIA: Verifique se a tensão na rede de alimentação corresponde à da indicada sobre a chapa dos dados técnicos da ferramenta.

- Se tiver quaisquer hesitações, não meta a ficha de contacto do instrumento na rede eléctrica.
- Fonte de alimentação superior à indicada para o instrumento eléctrico pode causar tanto uma séria lesão de choque eléctrico ao operário, como também avaria no instrumento.
- Fonte de alimentação inferior à indicada para o instru-

mento eléctrico pode causar dano ao motor eléctrico.

- A ferramenta destina-se à aspiração de materiais que não constituem perigo para a saúde e não são inflamáveis.
- Esta ferramenta destina-se exclusivamente e só para uso na casa e na oficina familiar.
- O modelo VC 1430MS destina-se também a aspiração de poeira durante o trabalho com ferramentas eléctricas.
- Não usar a ferramenta ao ar livre (a não ser que ela esteja expressamente destinada a trabalhar ao ar livre).
- Não deixe a ferramenta sob os efeitos de calor, luz solar directa ou umidade elevada (por exemplo, chuva).
- Não meta a ferramenta em líquidos e cuide-a de bordas afiadas que podem causar-lhe dano.
- Não se admite trabalhar com a ferramenta com as mãos molhadas ou úmidas. Se a ferramenta ficar molhada ou úmida durante o trabalho, retire imediatamente a ficha do contacto. Não meta a ferramenta em água.
- Ao trabalhar com o aspirador em ambiente úmido, use dispositivo protector, accionado por corrente residual, para cortar a alimentação de corrente eléctrica.
- A ferramenta tem de se usar só para o que for destinada. Qualquer outro uso, diferente do descrito nesta instrução, considerar-se-á uso incorrecto. A responsabilidade de toda avaria ou trauma que decorrem de uso incorrecto será assumida pelo utente e não pelo fabricante.
- Nunca coloque as aberturas de adesão da ferramen-

ta à frente da sua cara (sobretudo dos seus olhos, ouvidos, etc.). Nunca aponte o bico para pessoas ou animais.

- Antes de iniciar o trabalho com a ferramenta, convença-se de que no suporte ficou correctamente colocado e fixado o saco de poeira apropriado. Saco de poeira impróprio ou incorrectamente colocado pode provocar av ária da ferramenta e isto vão anular a garantia.
- Não se admite aspirar cinza, brasas, etc., grandes pedaços de vidro partido e objectos afiados.
- Não se admite aspirar poeira de toner, impressora ou Xerox, pois o toner é material condutor de electricidade. Além disso é possível que a poeira do toner não possa ser completamente captado pelo sistema de filtragem do aspirador para limpeza a seco / molhado e dispersar-se no ar pelo ventilador do ar de saída.
- Não se admite limpeza de líquidos inflamáveis ou tóxicos, tais como gasolina, petróleo, ácidos e quaisquer outras substâncias voláteis.
- Não se admite aspirar líquidos com temperatura maior de 60°C, bem como qualquer outra poeira tóxica ou inflamável.
- Não se admite aspirar amianto ou poeira de amianto.
- Nunca deite a ferramenta lateralmente. Preste especial atenção à posição horizontal da ferramenta e à estabilidade da ferramenta durante o trabalho em escadas.



ADVERTÊNCIA: Sempre desconecte a ferramenta e retire a ficha do contacto depois de concluir o trabalho, antes de limpeza, substituição de filtros e acessórios, transporte ou conservação. Nunca retire a ficha do contacto puxando do cabo. Desmonte todos os acessórios da ferramenta antes de guardá-la.

- Não se admite guardar a ferramenta perto de fontes de calor.
- Nunca deixe um aspirador a trabalhar sem vigilância. Se tem de afastar-se da zona operacional, primeiro desconecte o aspirador ou retire a ficha do contacto (não puxe do cabo, mas retire a ficha).
- Nunca trabalhe com a ferramenta caso se encontre sob o efeito de medicamentos, álcool ou drogas, está a seguir tratamento médico ou está cansado.
- Convença-se de que o cabo está posicionado de modo que ninguém tropece nele e não permita a crianças chegarem a ter acesso da ferramenta.
- Revise regularmente a perfeição da ferramenta e do cabo alimentador. Não trabalhe com ferramentas defeituosas.
- Caso o cabo alimentador esteja danificado, a substituição tem de se fazer na oficina autorizada da SPARKY.
- Não tente reparar a ferramenta pela Sua conta. A reparação destas ferramentas tem de se fazer só por especialistas qualificados nas oficinas autorizadas da SPARKY, usando só peças de sobresselente originais. A reparação incorrecta pode chegar a ser a causa de aparecimento de perigo significativo para o utente.
- Use só acessórios originais SPARKY. O uso de peças e acessórios não originais constitui perigo poten-

cial e anula a garantia.

- Revise frequentemente o flutuador.
- Se reparar que da ferramenta está a escoar líquido, desconecte-a imediatamente e retire a ficha do contacto.
- Não deixe a ferramenta em água. Verifique se não há água derramada sobre a ferramenta.
- Ao deitar a água aspirada, convença-se de que está a observar as disposições legais.
- Guarde a ferramenta só num lugar seco e segura, fora do acesso de crianças.
- Mantenha sempre o aspirador limpo. Não se admite usar solventes ou detergentes que contêm solventes.

Preste atenção especial às instruções de segurança especiais, enumeradas a seguir:

EXIGÊNCIAS ESPECIAIS DE SEGURANÇA

- Não se admite aspirar cinza quente e objectos de bordas afiadas.
- Não se admite trabalhar com o aspirador em ambiente úmido,
- Não se admite trabalhar com o aspirador sem o saco de poeira (excepto no caso da limpeza a molhado). \ Convença-se de que o saco da poeira foi correctamente colocado.
- Durante o trabalho convença-se de que os seus cabelos, roupa ou partes deles não serão levados pelo aspirador.
- Cuide o aspirador de fontes de calor, tais como esquentadores, fornos, etc.
- Para operar correctamente esta ferramenta eléctrica, tem de observar as regras de segurança, as instruções gerais e as recomendações para o trabalho mencionadas aqui. Todos os utentes têm de conhecer a presente instrução para o trabalho e estar informados dos potenciais riscos ao trabalharem com o instrumento eléctrico.
- Crianças, pessoas de físico fraco e inválidos nem sempre compreendem os perigos que decorrem do trabalho com ferramentas e não têm de usar a ferramenta eléctrica. É obrigatório tomar medidas preventivas de segurança. O mesmo refere-se à observância das regras principais de saúde profissional e segurança técnica.
- O fabricante não assume a responsabilidade pelas alterações feitas na ferramenta pelo consumidor, nem pelas avarias que decorrem dessas alterações.
- O instrumento eléctrico não se deve usar à intempérie em tempo de chuva, em ambiente úmido (depois de chuva) ou perto de líquidos e gases inflamáveis. O local de trabalho tem de se manter bem iluminado.

IV - Conhecimento da ferramenta

1. Manipula
2. Interruptor
3. Interruptor da escolha de regime (VC 1430MS)
4. Tampa
5. Flutuador
6. Suporte para filtros

7. Contacto inserido (VC 1430MS)
8. 2 pequenas rodas de rolete
9. Fivelas
10. Contentor
11. Fixação da mangueira
12. 2 grandes rodas de rolete
13. Mangueira conjunto
14. Tubo telescópico
15. Bocal combinado para chão duro e para tapetes (VC 1430MS)
16. Abertura para bombagem de ar
17. Bocal estreito para juntas e fissuras
18. Filtro de pregas
19. Filtro de espuma
20. Filtro de limpeza a seco
21. Abertura de escoamento (VC 1430MS)
22. Adaptador (VC 1430MS)
23. Manípulo com regulação da força de aspiração (VC 1430MS)
24. Saco da poeira
25. Bocal para revestimentos de chão duros (VC 1220M)
26. Dispositivo para sujeitar o tubo telescópico
27. Parafusos

DESEMBALAGEM

De acordo com as tecnologias de fabrico geralmente aprovadas, é pouco provável a ferramenta eléctrica recém-adquirida por Você ser defeituosa ou lhe faltar algumas das peças. Mesmo assim, se reparar qualquer falta, não trabalhe com a ferramenta até que a peça defeituosa não for substituída ou o defeito existente não for reparado. O incumprimento desta recomendação pode levar a um grave acidente laboral.

Desembale cuidadosamente o conteúdo da caixa.

1. Pegue nas duas fivelas (9) que sustentam a tampa (4) e dobre-os para cima (Fig.1)
2. Afrouxe as fivelas, retire a tampa (Fig.2) e esvazie o conteúdo do contentor.

Favor de verificar a presença de todas as peças da lista acima e de que as mesmas não sofreram danos durante o transporte.

ENSAMBLAGEM

- Convença-se de que a ficha foi retirada do contacto.
- Pegue nas duas fivelas que sustentam a tampa e dobre-os para cima (Fig.1)
- Afrouxe os fixadores e levante a tampa para cima e para fora (Fig.2)
- Coloque a manípulo sobre a tampa pelo lado superior. Convença-se de que o dispositivo de fixação da manípulo foi colocado no encaixe da manípulo (Fig.3) pelo lado correcto.
- Fixe a manípulo sobre a tampa com os dois parafusos. Aperte os parafusos manualmente (Fig. 4).
- Vire o contentor para o lado contrário de modo que a tampa fique por baixo.
- Monte as quatro rodas de rolete (8, 12) nas estrias sobre o fundo do contentor (Fig.5)
- Verifique se as rodas entraram definitivamente nas estrias.
- Fixe as rodas com os restantes parafusos

- Aperte os parafusos manualmente (Fig.6)
- Coloque o filtro apropriado para o trabalho que vai realizar
- Coloque de novo a tampa sobre o contentor (Fig.7)
- Alinhe a tampa com as fivelas (Fig.8)
- Prenda as fivelas à tampa e aperte-as para baixo até ouvir o clique
- Coloque o extremo largo da mangueira (13) sobre a abertura de aspiração da frente do contentor
- Escolha bocal apropriado (15,17, 25) ou o tubo telescópico (14) e coloque-os sobre a mangueira (13) (Fig.10)
- Depois de terminar o trabalho e limpar a ferramenta, guarde os acessórios pendurando-os nos respectivos dispositivos fixadores do aspirador (Fig.11)

V - Instruções para o trabalho

Estas ferramentas eléctricas alimentam-se só por tensão monofásica variável. O modelo VC 1220 tem duplo isolamento de acordo com EN 60335-1 e pode-se ligar a contactos sem braçadeiras de segurança. O modelo VC 1430MS tem de se ligar aos contactos com braçadeiras de segurança.

As interferências de rádio correspondem à Directriz de compatibilidade electromagnética 2004/108/EC

O modelo VC 1430MS destina-se a extrair a poeira durante o trabalho com ferramentas eléctricas. Para o fim, o modelo VC 1430MS tem inserido contacto eléctrico (7) no qual se mete a ficha do cabo alimentador da ferramenta. Ao conectar o interruptor da ferramenta, o aspirador acciona-se automaticamente. Ao ser desconnectada a ferramenta, o aspirador também desconnecta depois dum determinado tempo.

ANTES DE COMEÇAR O TRABALHO

- Verifique se a tensão da rede eléctrica corresponde à que está indicada sobre a chapa com os dados técnicos da ferramenta eléctrica.;
- Assegure-se da perfeição do cabo de alimentação e da ficha de tomada. Se o cabo de alimentação está danificado, a sua substituição tem de se fazer pelo fabricante ou por especialista de serviço autorizado por ele para evitar os perigos decorrentes dessa operação.
- Leia, compreenda e observe as indicações do ponto "Instruções para a segurança do trabalho com aspiradores"

LIMPEZA A SECO



ADVERTÊNCIA: Não se admite limpeza de substâncias nocivas à saúde.

O uso de saco de poeira não apropriado anula a garantia.

- Convença-se de que a ferramenta não está conectada à rede alimentadora.
- Empurre cuidadosamente o filtro de limpeza a seco (20) para cima do suporte para filtros (5) (Fig. 13)

- Verifique se o filtro de limpeza a seco cobre inteiramente o suporte para filtros. Convença-se de que o anel apertador fixa bem todos os ângulos do filtro de limpeza a seco.
- Enfie o saco da poeira sobre a abertura de adesão da mangueira (Fig.14) do contentor. Aperte bem até se afundar com um clique (Fig.15). Enquanto fizer isto, procure não danificar o saco da poeira.
- Coloque de novo a tampa sobre o contentor e feche as fivelas (Fig.7), (Fig.8)
- Coloque o extremo largo da mangueira sobre a abertura de aspiração da frente do contentor (Fig.9)
- Escolha bocal apropriado (15,17,25) ou o tubo telescópico (14) e coloque-os sobre a mangueira (13), ligue o extremo da mangueira à abertura de aspiração da ferramenta.
- Convença-se de que o interruptor (2) da ferramenta fica na posição de desligado "0", antes de meter a ficha do cabo alimentador na rede.
- Meta a ficha no contacto.
- Ligue o motor eléctrico (o interruptor encontra-se na posição "I")
- Depois de terminar a limpeza, desligue o motor eléctrico posicionando o interruptor (11) na posição de desligado "0".
- Retire a ficha da rede de contacto.

Revise regularmente o saco da poeira (24) e substitua-o quando ficar cheio até aos 2/3 da sua capacidade.

O saco foi concebido de modo que o papel deixe passar só o ar, mas não a poeira.

Por esta razão o saco usado não pode ser usado por segunda vez.

ADVERTÊNCIA: Não use o saco da poeira para aspirar objectos de bordas afiadas ou objectos molhados.

Filtro de pregas

Ao trabalhar com o filtro de pregas, não faz falta usar o saco da poeira.

Coloque o filtro de pregas (18) sobre o suporte para filtros (6) (Fig.16a). Feche o suporte para filtros (6) com a tampa fixadora dobrando-a (Fig.16b). Depois dum uso prolongado, o filtro tem de se limpar agitando-o ou escovando-o.

Ao limpar concreto ou outros materiais similares que

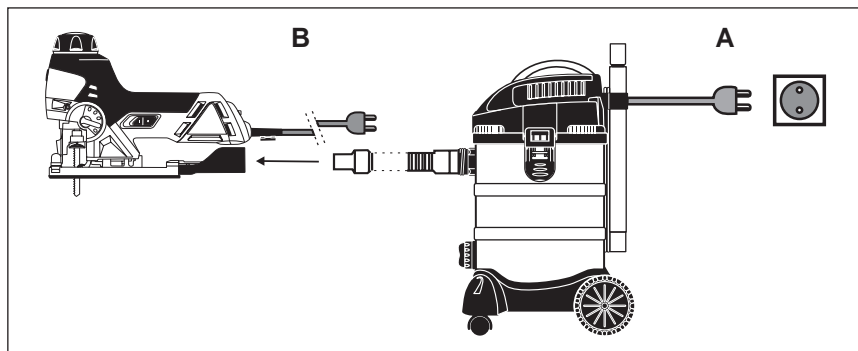
emanam poeira fina, bem como ao trabalhar em regime automático com a ferramenta (VC 1430MS), o filtro de pregas tem de ser escovado e agitado mais frequentemente. Isto constitui uma premissa importante para a segurança do trabalho e a longevidade do Seu aspirador. Caso tenha reparado que a força da aspiração tenha diminuído, ou o filtro de pregas esteja danificado, tem de o substituir imediatamente por novo.

REGIME AUTOMÁTICO DE TRABALHO COM A FERRAMENTA (VC 1430MS)

- Retire a ficha do cabo alimentador da rede de contacto.
- Abra as fivelas e retire a tampa.
- Verifique se o contentor (10) foi esvaziado da poeira e do lixo.
- Coloque filtro de pregas (18), apropriado para o trabalho realizado, no suporte para filtros e enrole a tampa sobre o suporte. Coloque de novo a tampa do aspirador sobre o contentor e feche as fivelas (Fig.16c)
- Posicione o interruptor da ferramenta na posição de desligado "0".
- Ligue o adaptador do aspirador (22) à remoção da poeira da ferramenta (Fig.17)
- Ligue a ferramenta ao contacto inserido no aspirador.
- Meta a ficha do cabo alimentador do aspirador na rede alimentadora.
- Ponha o interruptor do aspirador (2) na posição de ligado "I".
- Ponha o interruptor de escolha de regime (3) na posição "≡"
- Ligue o interruptor da ferramenta.

O aspirador accionar-se-á automaticamente no momento em que ligue a ferramenta. Ao desligar a ferramenta, o aspirador também desligar-se-á depois de algum tempo.

	A (напряжение)	B (мощность)
EU	230 V	2100 W
RU	220V	2000 W



LIMPEZA A MOLHADO



ADVERTÊNCIA: Não se admite limpeza de substâncias nocivas à saúde.

- Convença-se de que a ficha do cabo alimentador ferromentada não está conectada à rede alimentadora.
- Verifique se o contentor (10) foi esvaziado da poeira e do lixo..
- Retire o filtro de pregas montado na fábrica (18) que não é apropriado para limpeza a molhado.
- Retire o saco da poeira (24) e o filtro de limpeza a seco (20), se antes disso tem trabalhado com eles (VC 1220M).
- Deixe só o filtro de espuma (19) (Fig.12) sobre o suporte para filtros.
- Coloque de novo a tampa sobre o contentor e feche as fivelas (Fig.7), (Fig.8).
- Coloque o extremo largo da mangueira sobre a abertura de aspiração da frente do contentor (Fig.9)
- Escolha bocal apropriado (15, 17, 25) ou o tubo telescópico (14) e coloque-os sobre a mangueira (13) (Fig.10).
- Convença-se de que o interruptor (2) da ferramenta fica na posição de desligado "0", antes de meter a ficha do cabo alimentador na rede.
- Meta a ficha do cabo alimentador no contacto.
- Posicione o interruptor (2) na posição "I" para ligar o motor eléctrico.
- Ao terminar a limpeza a molhado, desligue o aspirador colocando o interruptor (2) na posição de desligado "0".
- Retire a ficha do cabo alimentador da rede de contacto.
- Depois de terminar o trabalho, esvazie e limpe o contentor (10)

Recomendação: Quando for necessário aspirar grande quantidade de líquido dum lavatório ou tanque, não meta o bocal inteiro no líquido, mas deixe uma parte dele livre para garantir a aspiração de ar junto com o líquido.

A ferramenta está provida de flutuador (5) (Fig.18) que desliga o aspirador quando o contentor ficar cheio. Vai compreender que a aspiração tem concluído pelo facto de que as rotações do motor eléctrico vão aumentar. Nesse caso, desligue a ferramenta e retire a ficha do cabo alimentador da rede.

Tenha em conta que o contentor cheio pode ser muito pesado.

Retire a tampa da abertura para esvaziamento (21) deite a parte restante do líquido num recipiente adequado ou no esgoto. Depois de colocar de novo a tampa, pode continuar o trabalho.

Depois de concluir a limpeza a molhado, desligue a ferramenta e retire a ficha do cabo da rede de contacto.

Esvazie o contentor e limpe-o. Seque-o por dentro e por fora antes de guardá-lo.

IMPORTANTE! Depois da limpeza a molhado e antes de proceder para a limpeza a seco, leia as exigências enumeradas no ponto "Limpeza a seco".

ACESSÓRIOS

MODELO	VC 1220M	VC 1430MS
Manguera conjunto	•	•
Tubo de plástico de 2 partes	•	
Tubo de plástico telescópico de metal cromado		•
Saco da poeira	•	•
Filtro de limpeza a seco	•	
Filtro de espuma	•	•
Filtro de pregas de poliéster		•
Filtro de pregas de celolose	•	
Bocal para revestimentos de chão duros	•	
Bocal combinado		•
Bocal para fissuras	•	•
Manipula com regulação da força de extracção		•
Adaptador de adesão à ferramenta eléctrica		•
Rodas de rolete	2 pequenas + 2 grandes	2 pequenas + 2 grandes



ADVERTÊNCIA: Use só acessórios originais SPARKY. O uso de peças ou acessórios não originais constitui perigo potencial e anula a garantia.

VI - Manutenção

- Convença-se de que a ficha do cabo alimentador da ferramenta foi retirada do contacto.
- Retire a mangueira (13) do contentor.
- Abra as fivelas (Fig.1) e retire a tampa do contentor (Fig.2)
- Limpe fundamentalmente o contentor e a mangueira do lixo e dos resíduos acumulados.
- Limpe o filtro de espuma (19) lavando-o com detergente fraco.
- Revise a mangueira e as aberturas de adesão e revise se o cabo alimentador não tem defeitos.
- Depois de retirar o filtro de espuma (19), revise o flutuador (5). Para fazê-lo, pegue na tampa pela manipula e vire-a cuidadosamente de modo que o suporte para filtro aponte para cima.
- O flutuador tem de se mover livremente para cima e para baixo (Fig.18).



ADVERTÊNCIA: Não se admite uso de álcool, gasolina ou outros solventes. Nunca use substâncias corrosivas para limpar as peças de plástico.



ADVERTÊNCIA: Não se admite a penetração de água em contacto com a ferramenta eléctrica.

IMPORTANTE! Para garantir o trabalho seguro com a ferramenta e a confiança nela, todas as actividades relacionadas com reparação, manutenção e regulação (incluindo a revisão e substituição das escovas) têm de se fazer nas oficinas de serviço autorizadas da SPARKY utilizando só peças de sobresselente originais.

EVENTUAIS DEFEITOS E A SUA ELIMINAÇÃO

Defeito reparado	Causa provável	Modo de eliminação
A ferramenta não funciona	Falta alimentação.	Revise a tensão alimentadora
	Falha funcional do cabo alimentador, do interruptor, ou do motor eléctrico.	Revise, repare ou substitua a parte avariada
	O contentor está cheio de líquido.	Esvazie o contentor.
Da tampa do motor eléctrico sai poeira	Falta ou tem defeitos o saco da poeira	Coloque o saco da poeira ou substitua-o por novo
Baixa potência da extracção e elevadas rotações do motor eléctrico/vibrações	O saco da poeira está cheio	Substitua o saco da poeira

VII - Garantia

O prazo de garantia das ferramentas SPARKY fica determinado na carta de garantia.

Defeitos aparecidos em consequência do desgaste natural, sobrecarga ou exploração incorrecta ficam excluídos dos deveres de garantia.

Defeitos aparecidos em consequência do uso de materiais de má qualidade ou erros de produção eliminam-se sem pagamento adicional mediante substituição ou reparação.

A reclamação por ferramenta defeituosa da SPARKY reconhece-se só quando ela for devolvida ao fornecedor ou for apresentada na oficina de assistência autorizada no estado inicial (não desmontado).

Observações

Leia atentamente toda a instrução antes de iniciar o trabalho com este artigo.

O fabricante reserva-se o direito de introduzir melhorias e alterações nos seus artigos e de modificar as especificações sem prévia advertência.

As especificações podem ser diferentes para os diferentes países.

Spis treści

I	- Wstęp	50
II	- Dane techniczne	52
III	- Instrukcje bezpieczeństwa przy pracy odkurzacami	52
IV	- Podstawowe elementy	A/53
V	- Obsługa	54
VI	- Konserwacja	56
VII	- Gwarancja	57

I - Wstęp

Zakupione przez Państwa urządzenie elektryczne marki SPARKY spełni nawet najbardziej wygórowane oczekiwania użytkownika. Zostało ono wyprodukowane z zachowaniem rygorystycznych norm jakościowych SPARKY, aby zagwarantować doskonale parametry pracy. Przekonają się Państwo, że Wasze nowe urządzenie elektryczne jest łatwe i bezpieczne w obsłudze i przy zachowaniu odpowiednich zasad użytkowania, będzie Wam niezawodnie służyć przez wiele lat.



OSTRZEŻENIE:

Przed przystąpieniem do eksploatacji zakupionego przez Państwa urządzenia elektrycznego SPARKY należy uważnie zapoznać się z całością niniejszej Oryginalnej instrukcji obsługi. Ze szczególną uwagą należy traktować ostrzeżenia. Urządzenie elektryczne SPARKY posiada wiele cech, które przyspieszą i ułatwią wykonywaną przez Państwa pracę. Podczas prac nad tym urządzeniem szczególną uwagę poświęcono kwestiom bezpieczeństwa, wydajności i niezawodności, dzięki którym jest ono łatwe w obsłudze.



Nie wyrzucać produktów elektrycznych razem z odpadami z gospodarstw domowych!

Zużyte artykuły elektryczne nie powinny być wyrzucane wraz z odpadami z gospodarstw domowych. Należy je utylizować w przeznaczonych do tego miejscach. Informacji na temat utylizacji udzielają władze lokalne bądź sprzedawcy.



OCHRONA ŚRODOWISKA

Używając urządzenie, osprzęt i opakowanie należy poddać poszczególne elementy sortowaniu z myślą o ochronie środowiska naturalnego.

Elementy plastikowe zostały odpowiednio oznaczone, aby umożliwić utylizację według odpowiedniej klasyfikacji odpadów.

OPIS SYMBOLI

Na tabliczce znamionowej urządzenia elektrycznego mogą znajdować się symbole oznaczające ważne informacje o produkcie lub instrukcji jego użytkowania.



Podwójna izolacja



Urządzenie elektryczne, klasa ochrony I - ochrona przeciw porażeniu prądem przy podłączeniu do źródła zasilania z przewodem zerowym



Odkurzacz na mokro



Zgodny z odpowiednimi dyrektywami europejskimi



Zgodny z wymogami standardów rosyjskich



Zgodny ze standardami ukraińskimi



Zapoznać się z instrukcją obsługi

YYYY-Www Okres produkcji, w którym zmiennymi symbolami są:
YYYY - roku produkcji, ww – tydzień kalendarzowy

VC ODKURZACZ WARSZTATOWY

II - Dane techniczne

MODEL:	VC 1220M	VC 1430MS
• Moc	1250 W	1400 W
• Maks. moc zasysania	1500 W	1700 W
• Maks. moc przyłączanego elektronarzędzia	-	2000 W
• Pojemność zbiornika	20 l	30 l
• Materiał zbiornika	Stal nierdzewna	Stal nierdzewna
• Pojemność worka papierowego	20 l	30 l
• Maksymalne podciśnienie	15 kPa	17 kPa
• Maksymalny przepływ powietrza	55 l/s	57 l/s
• Przepływ powietrza wg EN 60312	27 l/s	30 l/s
• Tryb automatyczny pracy z elektronarzędziami	Nie	Tak
• Odprowadzenie wody	Nie	Tak
• Uchwyt z regulacją podciśnienia	Nie	Tak
• Średnica węża	36 mm	36 mm
• Długość węża	1,5 m.	2,5 m.
• Długość kabla	4 m.	7,5 m.
• Zasięg pracy	6 m.	11 m.
• Waga (EPTA procedure 01/2003)	5,8 kg	8,8 kg
• Klasa ochrony	IP 24	IP 24
• Poziom bezpieczeństwa	□ / II	⊙ / I
• Emisja hałasu (wartości określono zgodnie z norma EN 60704):		
Określony wg skali A poziom ciśnienia akustycznego L_{pA}	79 dB(A)	81 dB(A)
Określony wg skali A poziom mocy akustycznej L_{WA}	93 dB(A)	95 dB(A)



Nosić ochronę słuchu!

III - Instrukcje bezpieczeństwa przy pracy odkurzaczami



UWAGA: Niniejsze urządzenie jest zgodne z obowiązującymi przepisami bezpieczeństwa dla urządzeń elektrycznych. W celu ograniczenia ryzyka zranienia, użytkownik musi zapoznać się z niniejszą instrukcją obsługi i przeczytać wszystkie instrukcje. Nie zapoznanie się z wszystkimi informacjami zawartymi w niniejszej instrukcji może spowodować uszkodzenie ciała i / lub przedmiotów oraz wygaśnięcie gwarancji.



UWAGA: Należy upewnić się, czy napięcie zasilania jest zgodne z napięciem podanym na tabliczce znamionowej urządzenia.

- Należy upewnić się, czy napięcie zasilania jest zgodne z napięciem podanym na tabliczce znamionowej urządzenia.
- W przypadku jakichkolwiek wątpliwości nie należy włączać urządzenia.
- W przypadku włączenia urządzenia do źródła zasilania o wyższym napięciu niż wymienione na tabliczce znamionowej istnieje niebezpieczeństwo zarówno poważnych uszkodzeń ciała użytkownika jak i samego urządzenia.
- Stosowanie napięcia niższego niż na tabliczce zna-

mionowej jest szkodliwe dla silnika urządzenia.

- Urządzenie jest przeznaczone do odkurzania materiałów niepalnych oraz nieszkodliwych dla zdrowia.
- Urządzenie jest zaprojektowane do pracy w domu i warsztacie. Model VC 1430MS jest przeznaczony do odciągania pyłów powstających podczas korzystania z elektronarzędzi.
- Nie używać urządzenia do pracy na zewnątrz (przy złych warunkach atmosferycznych).
- Nie wystawiać urządzenia na źródła ciepła, w miejscach nasłonecznionych oraz w miejscach o dużej wilgotności (np. deszcz).
- Nie zanurzać urządzenia w cieczach. Uważać na ostre krawędzie przedmiotów mogących uszkodzić odkurzacz.
- Podczas pracy odkurzaczem w wilgotnym środowisku, należy stosować wyłącznik różnicowoprądowy (RCD). Użycie wyłącznika różnicowoprądowego redukuje zagrożenie porażenia prądem.
- Nigdy nie używać urządzenia mając mokre lub wilgotne ręce. Natychmiast odłączyć zasilanie w przypadku stwierdzenia zawilgocenia urządzenia podczas pracy.
- Urządzenia może być użytkowane wyłącznie zgodnie z przeznaczeniem. Używanie odkurzacza winny niż opisany w niniejszej instrukcji sposób zostanie potraktowane jako używanie niezgodne z przeznaczeniem. W takim wypadku, użytkownik a nie producent będzie odpowiedzialny za wszelkie szkody wynikłe w związku z użyciem niezgodnym z przeznaczeniem.
- Nie należy trzymać wylotu węża ani rur przed twarzą (zwłaszcza oczami i uszami). Nigdy nie kierować końcówek w stronę innych osób lub zwierząt.

- Przed włączeniem urządzenia upewnić się, że właściwy filtr jest należycie umocowany. Niewłaściwy lub błędnie zamontowany worek może być przyczyną uszkodzenia odkurzacza i powodem nie uznania gwarancji.
- Nie wolno odkurzać popiołów, gorących węgla itp., ani ostrych fragmentów potłuczonego szkła i innych dużych przedmiotów.
- Nie wolno odkurzać tonerów używanych np. w drukarkach lub kopiarkach ze względu na przewodność elektryczną. Dodatkowo, ze względu na wysokie rozdrobnienie, istnieje prawdopodobieństwo, że tonery nie zostaną należycie odfiltrowane i przedostaną się przez otwór wydechowy.
- Nie wolno odsysać płynów łatwopalnych lub trujących takich jak benzyna, olej, kwasy lub inne lotne substancje.
- Nie wolno zasysać płynów o temperaturze wyższej niż 60°C ani żadnych trujących lub palnych pyłów.
- Nie wolno odkurzać azbestu ani pyłu azbestowego.
- Nigdy nie kłaść urządzenia na bok. Należy zwracać szczególną uwagę na utrzymanie pionowej pozycji i odpowiedniej stabilności na schodach.



UWAGA: Zawsze należy wyłączyć oraz odłączyć urządzenie od zasilania przed czyszczeniem, wymianą filtrów lub akcesoriów oraz podczas przenoszenia i przechowywania. Nigdy nie odłączać od zasilania ciągnąc za przewód. Zdemontować wszystkie akcesoria po zakończeniu pracy.

- Nie zbliżać urządzenia do źródeł ciepła.
- Nie pozostawiać włączonego urządzenia bez nadzoru. Przed opuszczeniem miejsca pracy należy wyłączyć urządzenie.
- Nie używać urządzenia pozostając pod wpływem leków, alkoholu lub narkotyków, w trakcie leczenia lub będąc zmęczonym.
- Dbać o to by rozwinięty przewód nie przeszkadzał w poruszaniu się. Chronić przed dziećmi.
- Regularnie sprawdzać stan urządzenia oraz przewodu. Nigdy nie używać uszkodzonych urządzeń elektrycznych.
- W przypadku stwierdzenia uszkodzenia przewodu należy dokonać wymiany w autoryzowanym serwisie SPARKY.
- Nigdy nie naprawiać urządzenia samodzielnie. Wszelkie naprawy mogą być dokonywane wyłącznie w autoryzowanych serwisach SPARKY z wykorzystaniem oryginalnych części zamiennych. Niewłaściwa naprawa może spowodować zagrożenie dla operatora.
- Należy używać wyłącznie oryginalnych części zamiennych oraz akcesoriów SPARKY. Użycie nieautoryzowanych części lub akcesoriów może spowodować zagrożenie i spowodować wygaśnięcie gwarancji.
- Często sprawdzać szczelność zbiornika.
- W przypadku zauważenia wycieków natychmiast wyłączyć urządzenie oraz odłączyć od zasilania.
- Nie wkładać urządzenia do wody oraz dbać by nie stało zamoczone.
- W przypadku wylewania zużytej wody zadbać o pozbycie się zanieczyszczeń zgodnie z aktualnymi

przepisami.

- Urządzenie należy przechowywać w bezpiecznym, suchym pomieszczeniu, poza zasięgiem dzieci.
- Zawsze należy utrzymywać urządzenie w należytej czystości. Nie stosować rozpuszczalników ani żadnych środków zawierających rozpuszczalniki do czyszczenia urządzenia.

Prosimy o zwrócenie szczególnej uwagi na następny rozdział: "Specjalne instrukcje bezpieczeństwa".

SPECJALNE INSTRUKCJE BEZPIECZEŃSTWA

- Nie odkurzać gorących popiołów ani ostrych przedmiotów.
- Nie stosować urządzenia w pomieszczeniach o dużej wilgotności powietrza.
- Nie odkurzać bez założonego filtra, upewnić się, że filtr (papierowy lub wielorazowy) jest należycie założony (wyjątkiem jest odkurzanie na mokro).
- Podczas używania należy zadbać aby żadna część ciała, włosy ani ubranie nie zostały wciągnięte.
- Nie zbliżać do źródeł ciepła takich jak grzejniki, piecyki, itp.
- W celu należytej obsługi urządzenia należy dokładnie zapoznać się z zasadami bezpieczeństwa, wskazówkami montażu oraz obsługi zawartymi w niniejszej instrukcji. Wszyscy użytkownicy muszą zostać zapoznani z niniejszą instrukcją obsługi oraz poinformowani o potencjalnych zagrożeniach związanych z pracą urządzeniem elektrycznym.
- Dzieci, osoby niepełnosprawne i w podeszłym wieku często nie zdają sobie sprawy niebezpieczeństw związanych z pracą urządzeniami elektrycznymi i nie powinny pracować niniejszym urządzeniem. Należy stosować się do lokalnych przepisów bezpieczeństwa oraz bezpieczeństwa i higieny pracy.
- Producent wyłącza wszelką odpowiedzialność za jakiegokolwiek zmiany dokonane w urządzeniu oraz ewentualne szkody wynikłe z ich dokonania.

IV - Podstawowe elementy

1. Uchwyt pokrywy silnika
2. Wyłącznik
3. Wyłącznik modułu pracy automatycznej (VC 1430MS)
4. Część silnikowa
5. Pływak
6. Kosz filtra
7. Wbudowane źródło zasilania (VC 1430MS)
8. Obręcz mocująca (VC 1220M)
9. Klamry
10. Zbiornik
11. Przyłącze węża ssącego
12. Rolki
13. Wąż ssący
14. Rura teleskopowa
15. Ssawka uniwersalna (VC 1430MS)
16. Otwory wentylacyjne
17. Ssawka szczelinowa
18. Filtr wielorazowy

19. Filtr piankowy
20. Filtr materiałowy (VC 1220M)
21. Spust wody (VC 1430MS)
22. Adapter przyłączenia elektronarzędzia (VC 1430MS)
23. Uchwyt z regulacją podciśnienia (VC 1430MS)
24. Worek papierowy
25. Ssawka płaska (VC 1220M)
26. Uchwyt rury
27. Śruby

ROZPAKOWANIE

W związku z wdrożonymi technikami produkcji masowej oraz kontroli istnieje małe prawdopodobieństwo, że urządzenie może być niepełnosprawne lub brakuje wyposażenia. Jeśli mimo to zostanie stwierdzona jakakolwiek wada nie należy używać odkurzacza zanim przyczyna nie zostanie usunięta. Nie podporządkowanie się temu zaleceniu może być przyczyną poważnych uszkodzeń ciała.

Należy uważnie rozpakować zawartość dostawy.

1. Odciągnąć klamry (9) blokujące część silnikową (4) i złożyć je. (Rys. 1).
2. Poluzować klamry, zdjąć część silnikową (Rys. 2) oraz opróżnić zbiornik.

Należy sprawdzić kompletność dostawy z powyższą listą i sprawdzić czy nic nie uległo uszkodzeniu w transporcie.

MONTAŻ

- Upewnić się, że przewód nie jest podłączony do zasilania.
- Odciągnąć klamry (9) blokujące część silnikową (4) i złożyć je. (Rys. 1)
- Poluzować klamry i zdjąć część silnikową (Rys. 2).
- Obrócić zbiornik o 180° tak aby dno znalazło się na górze.
- Umieścić dwie rolki (12) w prowadnicach przy dnie zbiornika (Rys. 5).
- Upewnić się, że zostały włożone do końca prowadnic.
- Zabezpieczyć rolki śrubami. (Rys. 6)
- Zamontować filtr odpowiedni do planowanej operacji.
- Założyć część silnikową na zbiornik (Rys. 7).
- Należy zadbać o zgranie klamr zbiornika z uchwytami części silnikowej (Rys. 8).
- Założyć klamry na część silnikową i zamknąć dociskając.
- Umieścić wąż ssący (13) większym końcem w przyłączu (11) węża na zbiorniku.
- Dobrać odpowiednią ssawkę (15 lub 17) lub rurę teleskopową (15) i założyć na końcówkę węża (13) (Rys. 10).
- Po zakończeniu pracy i wyczyszczeniu urządzenia należy założyć akcesoria w specjalnych uchwytach znajdujących się na obudowie urządzenia. (Rys. 11).

V - Obsługa

Te modele urządzeń SPARKY są zasilane jednofazowym prądem zmiennym. Model VC 1220M posiada podwójną izolację wg normy EN 60335-1 i może być

podłączany do źródeł zasilania uziemionych i nie uziemionych. Model VC 1430MS musi być podłączony do uziemionego źródła zasilania. Poziom tłumienia zakłóceń radiowych zgodny z dyrektywą 2004/108/EC.

Model VC 1430MS przeznaczony jest do odkurzania pyłów powstałych podczas pracy elektronarzędzi. W związku z tym jest wyposażony we wbudowane źródło zasilania (7) w celu podłączenia elektronarzędzia. Odkurzacz włączy się w momencie uruchomienia elektronarzędzia. Po wyłączeniu elektronarzędzia, odkurzacz wyłączy się automatycznie po upływie kilku sekund.

PRZED ROZPOCZĘCIEM PRACY

- Należy upewnić się czy napięcie w sieci odpowiada wartości podanej na tabliczce znamionowej urządzenia.
- Upewnić się, że przewód wraz z wtyczką są w pełni sprawne. W przypadku konieczności wymiany przewodu należy skontaktować się z autoryzowanym serwisem SPARKY.
- Prosimy o dokładne zapoznanie się, zrozumienie i przestrzeganie informacji zawartych w rozdziale III – "Instrukcje bezpieczeństwa przy pracy odkurzacami".

ODKURZANIE NA SUCHO



UWAGA: Nigdy nie odkurzać niebezpiecznych substancji.

Jeśli zostanie zastosowany nieoryginalny worek papierowy – może nastąpić uszkodzenie urządzenia a w konsekwencji utrata gwarancji.

- Upewnić się, czy urządzenie nie jest podłączone do zasilania.
- Ostrożnie naciągnąć filtr wielorazowy na kosz filtra (6).
- Upewnić się czy założony filtr całkowicie obejmuje kosz filtra.
- Nasunąć worek papierowy na króciec przyłącza węża (Rys. 14) w zbiorniku. Docisnąć aż mocno osadzi się na miejscu (Rys. 15). Podczas montażu dbać o nieuszkodzenie worka papierowego.
- Umieścić część górną ponownie na zbiorniku i zamknąć klamry (Rys.7), (Rys.8).
- Umieścić szerszą końcówkę węża w otworze zbiornika. (Rys. 9)
- Dobrać odpowiednią do rodzaju pracy końcówkę i / lub rurę teleskopową (14) i podłączyć do końcówki węża.
- Upewnić się, że wyłącznik (2) jest w pozycji wyłączony "0" przed podłączeniem przewodu do zasilania.
- Podłączyć przewód zasilający do gniazda sieciowego.
- Włączyć odkurzacz – przycisk (2) w pozycji "1"
- Po zakończeniu pracy wyłączyć odkurzacz – przycisk w pozycji "0".
- Odłączyć przewód zasilający.
- Należy regularnie sprawdzać worek papierowy i wymieniać go gdy jest w 2/3 zapełniony. Worek został tak zaprojektowany by jedynie powietrze a nie pył przedostawały się poprzez papier.

- W związku z powyższym raz użyty worek nie może być ponownie zastosowany.

UWAGA Nie używać worka papierowego do odkurzania przedmiotów o ostrych brzegach lub mokrych.

Filtr wielorazowy (18)

Worek papierowy nie jest potrzebny podczas pracy z zamontowanym filtrem wielorazowym.

Umieścić filtr wielorazowy (18) na koszu filtra (6). (Rys. 16a). Zamknąć kosz filtra (6) zakładając pokrywę a następnie ją dokręcić (Rys. 16b). Po użyciu można filtr oczyścić poprzez wstrząśnięcie lub szczotkowanie.

Podczas odkurzania betonu lub podobnych materiałów oraz podczas pracy w automatycznym trybie z elektronarzędziami (VC 1430MS) filtr wielorazowy musi być oczyszczany częściej. Zachowanie tej procedury jest warunkiem koniecznym do zachowania odkurzacza w dobrym stanie i długotrwałej wydajnej pracy. W wypadku zauważenia spadku mocy zasysania lub podejrzenia uszkodzenia filtra wielorazowego, należy niezwłocznie wymienić go na nowy.

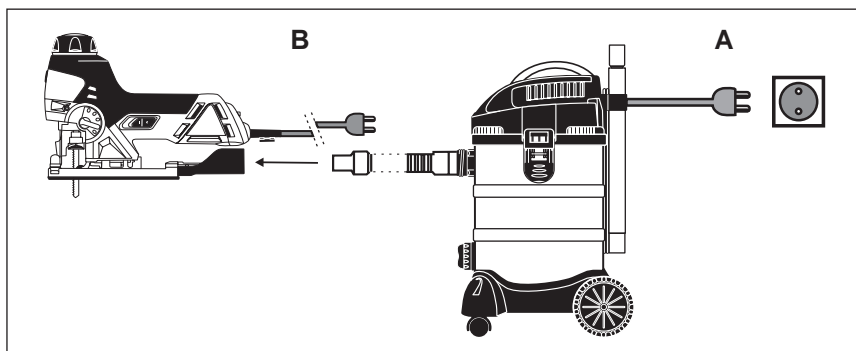
TRYB AUTOMATYCZNY PRACY Z ELEKTRONARZĘDZIAMI (VC 1430MS)

- Upewnić się czy odkurzacz nie jest podłączony do zasilania.
- Otworzyć klamry i zdjąć górną część urządzenia.

- Upewnić się czy zbiornik (10) jest czysty.
- Umieścić filtr wielorazowy (18) na koszu filtra, dokręcić pokrywę do kosza filtra, założyć górną część odkurzacza na zbiornik oraz zaciśnąć klamry (Rys. 16c)
- Wyłącznik urządzenia, które ma być podłączone do odkurzacza musi znajdować się w położeniu "wyłączone".
- Podłączyć adapter (22) do przyłącza odprowadzania pyłów elektronarzędzia (Rys. 17)
- Podłączyć przewód elektronarzędzia do wbudowanego gniazda zasilania (7).
- Podłączyć przewód zasilający odkurzacza do zasilania.
- Ustawić wyłącznik odkurzacza (2) w pozycji "włączony" "I"
- Ustawić wyłącznik modułu pracy automatycznej (3) w pozycji "–"
- Włączyć elektronarzędzie.

Odkurzacz rozpocznie pracę automatycznie wraz z włączeniem elektronarzędzia. Po wyłączeniu elektronarzędzia, odkurzacz wyłączy się automatycznie po upływie kilku sekund.

	A (Napięcie)	B (Moc)
EU	230 V	2100 W
RU	220V	2000 W



ODKURZANIE NA MOKRO



UWAGA: Nigdy nie odkurzać niebezpiecznych substancji.

- Upewnić się czy odkurzacz nie jest podłączony do zasilania.
- Upewnić się czy zbiornik (10) jest czysty.
- Urządzenie jest dostarczane z zamontowanym filtrem wielorazowym. Zdjąć filtr (18), który nie jest przeznaczony do odkurzania na mokro.
- Zdjąć worek papierowy (24) i materiałowy (20) jeśli były wcześniej używane.
- Na koszu filtra umieścić filtr piankowy (19) (Rys. 12).
- Założyć górną część odkurzacza na zbiornik oraz zaciśnąć klamry (Rys. 7,8).

- Założyć odpowiednią końcówkę i / lub rurę teleskopową na wąż ssący. (Rys. 10)
- Upewnić się czy wyłącznik (2) znajduje się w pozycji "wyłączony" "0" przed podłączeniem przewodu do zasilania.
- Włączyć przewód do gniazda zasilającego.
- Włączyć urządzenie ustawiając wyłącznik (2) w pozycji "włączony" "I"
- Po zakończeniu odkurzania wyłączyć urządzenie ustawiając wyłącznik w pozycji "wyłączone" "0"
- Odłączyć przewód zasilający.
- Po użyciu opróżnić i osuszyć zbiornik.

Wskazówka: Jeśli zamierzamy odessać większą ilość wody z jakiegoś pojemnika (np. zlew, zbiornik) nie zaturzać całej kociołki w płynie ale pozostawić szczeliną w ten sposób aby powietrze mogły być zassane wraz z wodą.

Urządzenie jest wyposażone w wyłącznik pływakowy (5) (Rys. 18), który wyłącza urządzenie gdy zbiornik jest pełny. Fakt odłączenia ssania jest odczuwalny poprzez zanik ciągu oraz szybszą pracę silnika. **W takim wypadku należy wyłączyć urządzenie oraz odłączyć je od zasilania.**

Należy pamiętać, że pełny zbiornik może być bardzo ciężki.

Po zakończeniu pracy wyłączyć urządzenie i odłączyć od zasilania. Po opróżnieniu zbiornika należy go oczyścić i osuszyć.

WAŻNE! Aby ponownie móc odkurzać na sucho, należy postąpić zgodnie z opisem w dziale "Odkurzanie na sucho".

AKCESORIA

MODEL	VC 1220M	VC 1430MS
Wąż ssący	Tak	Tak
Dwuczęściowa rura plastikowa	Tak	Nie
Rura teleskopowa	Nie	Tak
Worek papierowy	Tak	Tak
Filtr materiałowy	Tak	Nie
Filtr piankowy	Tak	Tak
Filtr wielorazowy	Nie	Tak
Obręcz mocująca	Tak	Nie
Ssawka płaska	Tak	Nie
Ssawka uniwersalna	Nie	Tak
Ssawka szczelinowa	Tak	Tak
Uchwyt z regulacją podciśnienia	Nie	Tak
Adapter elektroniczny	Nie	Tak
Koła	2 małe i 2 duże koła	2 małe i 2 duże koła



UWAGA: Używać wyłącznie oryginalnych akcesoriów SPARKY. Użycie nieoryginalnych części zamiennych lub akcesoriów może spowodować potencjalne zagrożenie i wygaśnięcie gwarancji.

VI - Konserwacja

- Upewnić się czy odkurzacz nie jest podłączony do zasilania.
- Odłączyć wąż ssący (13) od zbiornika.
- Odpiąć klamry (Rys. 1) i zdjąć górną część odkurzacza ze zbiornika. (Rys. 2)
- Usunąć wszystkie zanieczyszczenia i pozostałości ze zbiornika oraz węża.
- Oczyszczyć filtr piankowy (19) piorąc w łagodnym środku piorącym.
- Sprawdzić wąż wraz z przyłączami oraz przewód zasilający.
- Po usunięciu filtru piankowego (19) należy sprawdzić wyłącznik pływakowy (5). W celu sprawdzenia pływak należy odwrócić górną część urządzenia o 180° – pływak powinien swobodnie poruszać się w górę i w dół. (Rys. 18).



UWAGA: Nigdy nie używać alkoholu, benzyny ani innych środków czyszczących. Nie używać środków żrących do czyszczenia części plastikowych.



UWAGA: wolno dopuścić do kontaktu z wodą górnej – elektrycznej części urządzenia.

WAŻNE! Aby zapewnić bezpieczeństwo oraz wydajność, wszelkie naprawy powinny być przeprowadzane w autoryzowanym serwisach SPARKY lub innych wykwalifikowanych serwisach z użyciem oryginalnych części zamiennych.

ROZWIĄZYWANIE PROBLEMÓW

Problem	Prawdopodobna przyczyna	Sugerowane rozwiązanie
Urządzenie nie działa.	Brak zasilania	Sprawdzić źródło zasilania
	Wada przewodu zasilającego, włącznika lub silnika	Sprawdzić, naprawić lub wymienić uszkodzoną część
	Zbiornik jest zapełniony płynem	Opróżnić zbiornik
Pył wydostaje się z odkurzacza.	Filtr nie założony lub uszkodzony	Założyć lub wymienić filtr
Niska moc ssania i wysoka prędkość obrotowa / wibracja silnika.	Worek na pył jest pełny	Wymienić worek

VII - Gwarancja

Okres gwarancji urządzeń SPARKY jest podany w karcie gwarancyjnej. Naturalne zużycie oraz uszkodzenia powstałe w wyniku przeciążenia lub niewłaściwej obsługi nie podlegają gwarancji.

Uszkodzenia wynikłe z wady materiałowej lub błędów produkcyjnych zostaną usunięte bezpłatnie w drodze naprawy lub wymiany urządzenia.

Reklamacje uszkodzonych urządzeń SPARKY zostaną rozpatrzone jeśli zostaną dostarczone w stanie w jakim stwierdzono wadę, nie rozmontowane do autoryzowanego serwisu lub punktu sprzedaży.

Uwaga

Przeczytać uważnie całość niniejszej instrukcji obsługi przed użytkowaniem niniejszego sprzętu.

Producent zastrzega prawo do zmian w specyfikacji bez uprzedzenia.

Specyfikacja może się różnić w zależności od kraju.

Содержание

I	- Введение	58
II	- Технические данные	60
III	- Инструкции по безопасности при работе с пылесосами	60
IV	- Ознакомление с электроприбором	A/62
V	- Указания по работе	62
VI	- Поддержка	65
VII	- Гарантия	66

I - Введение

Приобретенный Вами электроприбор SPARKY превзойдет все Ваши ожидания. Пылесос изготовлен в соответствии с высокими стандартами качества SPARKY, учитывающих строгие требования потребителей. Пылесос прост в обслуживании и безопасен при эксплуатации. При условии правильного использования этот электроприбор прослужит Вам надежно долгие годы.

ПРЕДУПРЕЖДЕНИЕ!



Внимательно прочтите весь текст инструкции перед тем, как приступить к использованию нового электроприбора SPARKY. Специальное внимание обратите на тексты, начинающиеся словом **“Предупреждение”**. Ваш электроприбор SPARKY имеет много качеств, которые упростят Вашу работу. При разработке этого электроприбора наибольшее внимание уделено безопасности, эксплуатационным качествам и надежности, упрощающим обслуживание и использование.



Не утилизируйте электроприборов вместе с бытовыми отходами!

Отработанные электрические изделия не следует утилизировать вместе с бытовыми отходами. Просьба рециклировать электроприборы в предназначенных для этого местах. Свяжитесь с местными властями или их представителем для получения консультации по вопросам рециклирования.

ОХРАНА ОКРУЖАЮЩЕЙ СРЕДЫ



В целях охраны окружающей среды электроприбор, принадлежности и упаковку следует подвергнуть подходящей переработке для повторного использования содержащегося в них сырья. Для упрощения рециклирования, детали, изготовленные из искусственных материалов, маркированы соответствующим способом.

ОПИСАНИЕ СИМВОЛОВ

На табличке с данными электроприбора обозначены специальные символы. Они предоставляют важную информацию об изделии или инструкции пользования.



Двойная изоляция для дополнительной защиты



Электроприбор класса защиты I от поражения электрическим током – с защитным занулением



Пылесос для влажной очистки



Соответствует релевантным европейским директивам



Соответствует требованиям российским нормативным документам



Соответствует требованиям украинских нормативных документов



Ознакомьтесь с инструкцией по эксплуатации

YYYY-Www

Период производства, где переменные символы означают:
YYYY - год производства, ww – очередная календарная неделя

VC

ПЫЛЕСОС ДЛЯ ВЛАЖНОЙ / СУХОЙ ОЧИСТКИ

II - Технические данные

МОДЕЛЬ:	VC 1220M	VC 1430MS
• Потребляемая мощность	1250 W	1400 W
• Макс. мощность высасывания	1500 W	1700 W
• Макс. мощность подключенного к пылесосу электроинструмента	—	2000 W
• Емкость контейнера	20 l	30 l
• Материал контейнера	нержавеющая сталь	нержавеющая сталь
• Емкость мешочка для сбора пыли	20 l	30 l
• Максимальная сила высасывания	15 kPa	17 kPa
• Максимальный дебит	55 l/s	57 l/s
• Дебит согласно EN 60312	27 l/s	30 l/s
• Автоматический режим для работы с электроинструментами	нет	да
• Высасывание жидкостей	да	да
• Регулирование воздушного потока	нет	да
• Диаметр шланга	Ø32 mm	Ø32 mm
• Длина шланга	1,5 m	2,5 m
• Длина кабеля	4 m	7,5 m
• Радиус зоны работы	6 m	11 m
• Вес (ЕРТА процедура 01/2003)	5,8 kg	8,8 kg
• Степень защиты	IP 24	IP 24
• Класс защиты	□ / II	⊕ / I
• Излучение шума (значения замерялись в соответствии со стандартом EN 60704):		
A-взвешенный уровень звукового давления L_{pA}	79 dB(A)	81 dB(A)
A-взвешенный уровень звуковой мощности L_{wA}	93 dB(A)	95 dB(A)



Используйте средства для защиты от шума!

III - Инструкции по безопасности при работе с пылесосами



ПРЕДОСТЕРЕЖЕНИЕ: Этот электроприбор отвечает обязательным распоряжениям безопасности для электрических изделий. Во избежание риска ранения пользователь должен прочесть инструкцию по эксплуатации. Читать все инструкции. Несоблюдение изложенных ниже инструкций может привести к несчастному случаю и/или порче имущества и аннулирует гарантию.

Храните эти инструкции для последующего использования!



ПРЕДОСТЕРЕЖЕНИЕ: Убедитесь, что напряжение электросети соответствует обозначениям на табличке с техническими данными электроприбора.

- В случае, если Вы не уверены в том каково напряжение, не включайте электроприбор.
- Питающее напряжение выше номинального может привести к серьезным травмам пользователя, а также к порче электроприбора.

- В случае, если напряжение ниже номинального, электродвигатель испортится.
- Электроприбор предназначен для высасывания материалов, которые не составляют опасности для здоровья и невоспламеняемые.
- Этот электроприбор предназначен исключительно и только для применения в быту и в домашней мастерской. Модель VC 1430MS предназначена и для высасывания пыли при работе с электроинструментами.
- Не пользуйтесь электроприбором на открытом (если он точно не предназначен для работы на открытом).
- Не подвергайте электроприбора воздействию теплоты, прямого солнечного света или повышенной влажности (например дождя).
- Не погружайте электроприбор в жидкость и берегите от острых кантов, которые могут испортить его.
- Не допускается работа с электроприбором мокрыми или влажными руками. Если электроприбор промокнет или увлажнится во время работы, сразу вытащите штепсель из контакта. Не допускается погружение электроприбора в воду.
- При работе пылесосом во влажной среде используйте предохранительное устройство, которое задействовано от остаточного тока для прерывания подачи тока. Использование предохранительного устройства уменьшает риск от поражения электрическим током.

- Электроприбор можно использовать только по назначению. Всякое иное использование, отличающиеся от описанного в этой инструкции, будет считаться неправильным использованием. Ответственность за всякую порчу или ранение, проистекающие из неправильного использования, будет нести пользователь, а не производитель.
- Никогда не держите присоединительные отверстия электроприбора перед своим лицом (особенно к глазам, ухом и т. п.) Никогда не направляйте наконечник на людей или животных.
- Перед чем начать работу с электроприбором убедитесь, что в держателе поставлен и правильно закреплен подходящий мешочек для сбора пыли - неподходящий или неправильно поставленный мешочек может привести к порче электроприбора и это аннулирует гарантию.
- Не допускается высасывание пепла, горячих угольков, крупных кусков разбитого стекла и острых предметов.
- Не допускается высасывание пыли от тонеров для принтеров или копиров, так как тонер является электропроводящим материалом. Кроме того возможно чтобы пыль тонера невозможно вполне остановиться с фильтровальной системой пылесоса для влажной/сухой очистки и выделится в воздух через вентилятор для исходящего воздуха.
- Не допускается очистка воспламеняемых или отравляющих жидкостей вроде бензина, нефти, кислот или других летучих веществ.
- Не допускается высасывание жидкостей с температурой выше 60°C, а также любого рода отравляющей или воспламеняющей пыли.
- Не допускается очистка асбеста или асбестовой пыли.
- Никогда не полагайте электроприбор на бок. Обращайте особое внимание на горизонтальное положение и устойчивость электроприбора при работе на лестнице.



ПРЕДОСТЕРЕЖЕНИЕ: Всегда выключайте электроприбор и вытаскивайте штепсель из контакта после остановки работы, перед очисткой, заменой фильтров или принадлежностей, транспортировкой или консервацией. Никогда не вытаскивайте штепсель путем дергания кабеля. Демонтируйте все принадлежности с электроприбора перед хранением.

- Не допускается хранение электроприбора в прямой близости от источников тепла.
- Никогда не оставляйте работающего пылесоса без присмотра. Если Вам понадобится удалиться от рабочей зоны, сперва выключите пылесос или вытащите штепсель из контакта (не дергайте кабель, а вытаскивайте штепсель).
- Никогда не работайте с электроприбором, если находитесь под влиянием медикаментов, алкоголя или наркотиков, а также в процессе лечения или при усталости.
- Убедитесь, что кабель расположен так, чтобы о

- него не могут спотыкаться и не допускайте возможности доступа детей к электроприбору.
- Регулярно проверяйте исправность электроприбора и питающего кабеля. Не работайте с неисправными электроприборами.
- Если питающий кабель поврежден, замена должна выполняться в оторизированном сервисе SPARKY.
- Не пробуйте ремонтировать электроприбор сами. Ремонт этих электроприборов должен выполняться только квалифицированными специалистами в оторизированном сервисе SPARKY при применении оригинальных запасных частей. Неправильный ремонт может стать причиной возникновения значительной опасности для пользователя.
- Используйте только оригинальные принадлежности SPARKY. Использование неоригинальных частей или принадлежностей составляет потенциальную опасность и аннулирует гарантию.
- Часто проверяйте поплавки.
- Если заметите вытекание жидкости из электроприбора, сразу выключите его и вытащите штепсель из контакта.
- Не погружайте электроприбор в воду. Проверьте о наличии разлитой воды на поверхности электроприбора.
- Когда выбрасываете высосанную воду, убедитесь, что Вы соблюдаете распоряжения закона.
- Храните электроприбор только в надежном и сухом месте, вне доступа детей.
- Всегда храните пылесос чистым. Не допускается применение растворителей или препаратов очистки, содержащих растворители.

Просим обратить особое внимание на нижеуказанные специальные требования безопасности.

СПЕЦИАЛЬНЫЕ ТРЕБОВАНИЯ БЕЗОПАСНОСТИ

- Не допускается высасывание горячую пепел и предметов с острыми кантами или концами.
- Не допускается работа с электроприбором во влажных помещениях.
- Не допускается работа с пылесосом без мешочка для сбора пыли (за исключением случаев влажной очистки). Убедитесь, что мешочек поставлен правильно.
- Во время работы убедитесь, что волосы, одежды или части из них не будут засосаны.
- Берегите пылесос от источников тепла вроде радиаторов, печей и др.
- Чтобы эксплуатировать правильно этот электроприбор надо соблюдать правила безопасности, общие инструкции и указания по работе, названные здесь. Все пользователи должны быть ознакомлены с этой инструкцией по эксплуатации и информированы о потенциальных рисках при работе с электроприбором.
- Дети, инвалиды и взрослые люди часто не дают себе отчет в опасностях, проистекающих из работы с электроприборами. Не допускается работа с электроприборами вышеуказанным группам. Обязательно тоже предпринять превентивные

меры безопасности. То самое относится и к соблюдению основных правил профессионального здоровья и безопасности.

- Производитель не несет ответственности за предпринятые пользователем изменения в электроприборе или за повреждения, являющиеся следствиями таких изменений.

IV - Ознакомление с электроприбором

1. Рукоятка
2. Выключатель
3. Выключатель для выбора режима (VC 1430MS)
4. Крышка
5. Поплавок
6. Подставка для фильтров
7. Встроенный контакт (VC 1430MS)
8. 2 маленькие роликовые колесики
9. Застежки
10. Контейнер
11. Закрепление шланга
12. 2 большие роликовые колесики
13. Шланг комплект
14. Телескопическая труба
15. Комбинированный наконечник для полов и ковров (VC 1430MS)
16. Отверстие для нажатия воздуха
17. Наконечник для швов
18. Складчатый фильтр
19. Фильтр из пенопласта
20. Фильтр для сухой очистки
21. Отверстие для выливания (VC 1430MS)
22. Адаптер (VC 1430MS)
23. Рукоятка с регулированием силы сосания (VC 1430MS)
24. Мешочек для сбора пыли
25. Наконечник для твердых половых покрытий (VC 1220M)
26. Приспособление для прикрепления телескопической трубы
27. Винты

РАСПАКОВКА

В соответствии с общепринятыми технологиями производства мало вероятно, что новоприобретенный Вами электроприбор окажется неисправным или с нехваткой какой-либо части. Если заметите, что кое-что не в порядке, не работайте с электроприбором, пока поврежденная часть не будет заменена или дефект не будет устранен. Невыполнение этой рекомендации может привести к серьезному трудовому несчастному случаю.

Внимательно распакуйте содержание коробки.

1. Схватите обе застежки (9), придерживающие крышку (4) и свертите их вверх (Фиг.1).
2. Ослабьте застежки, снимите крышку (Фиг.2) и выньте содержание из контейнера.

Прошу проверить наличие всех частей по вышеупомянутому списку, чтобы убедиться в их наличии,

а также в том, что во время транспортировки не наступили повреждения.

СБОРКА

- Убедитесь, что штепсель вытасен из контакта.
- Схватите обе застежки, придерживающие крышку и свертите их вверх (Фиг.1).
- Освободите застежки и поднимите крышку вверх и наружу (Фиг.2).
- Поставьте рукоятку на внешней стороне крышки. Убедитесь, что приспособление прикрепления рукоятки монтировано в ямке рукоятки (Фиг.3) правильной стороной.
- Прикрепите рукоятку к крышке двумя винтами. Затяните винты вручную (Фиг.4).
- Переверните контейнер таким образом, чтобы крышка была снизу.
- Поставьте четыре роликовые колесики (8, 12) в пазы на дне контейнера (Фиг. 5).
- Проверьте о том, вместились ли колесики до конца в пазы
- Закрепите колесики остальными винтами.
- Затяните винты вручную (Фиг. 6).
- Поставьте фильтр, подходящий для работы, которую будете выполнять.
- Поставьте обратно крышку на контейнер (Фиг.7).
- Подравняйте крышку со застежками (Фиг.8).
- Прицепите застежки к крышке и прищемите их пока услышите щелчок.
- Установите широкий конец шланга (13) на переднее отверстие для высасывания (17) контейнера.
- Выберите подходящий наконечник (15, 17, 25) или телескопическую трубу (14) и монтируйте на шланге (13), (Фиг. 10).
- После завершения работы и очистки электроприбора храните принадлежности, устанавливая их к соответствующим закрепляющим приспособлениям пылесоса (Фиг.11).

V - Указания по работе

Эти электроприборы питаются однофазным переменным напряжением. Модель VC 1220M с двойной изоляцией согласно EN 60335-1 и может присоединяться к контактам без защитных клемм. Модель VC 1430MS надо присоединять к контактам защитными клеммами. Радиопомехи соответствуют Директивы Европейского парламента и Совета 2004/108/EC относительно электромагнитной совместимости.

Модель VC 1430MS предназначена и для высасывания пыли при работе с электроинструментами. С этой целью модель VC 1430MS имеет встроенный эл. контакт (7), в который вставляется штепсель питающего кабеля электроинструмента. При включении выключателя электроинструмента пылесос включается автоматически. При выключении электроинструмента пылесос тоже выключается через определенное время.

ПРЕЖДЕ ЧЕМ НАЧАТЬ РАБОТУ

- Проверьте отвечает ли напряжение электриче-

ской сети указанному на табличке с техническими данными электроприбора.

- Убедитесь в исправности кабеля питания и штепселя. Если питающий кабель поврежден, замена должна выполняться производителем или его сервисным специалистом, во избежание опасностей от замены.
- Прочтите, поймите и соблюдайте указания в пункте «Инструкции по безопасности при работе с пылесосами»

СУХАЯ ОЧИСТКА



ПРЕДОСТЕРЕЖЕНИЕ: Не допускается очистка вредных для здоровья веществ.

Использование неподходящего мешочка для сбора пыли аннулирует гарантию.

- Убедитесь, что электроприбор не подключен к питающей сети.
- Внимательно выдерните фильтр для сухой очистки над подставкой для фильтров (6).
- Проверьте покрывает ли фильтр для сухой очистки целиком подставку для фильтров. Убедитесь, что стягивающее кольцо прочно закрепляет все углы фильтра для сухой очистки.
- Наденьте мешочек для сбора пыли на отверстие для присоединения шланга контейнера (Фиг.14). Прижмите ее пока установится на месте щелчком (Фиг.15). Когда выполняете это действие, будьте внимательным чтобы не повредить мешочек для сбора пыли.
- Поставьте снова крышку на контейнер и закройте застёжки (Фиг.7), (Фиг.8).
- Поставьте широкий конец шланга на переднее отверстие для высасывания контейнера (Фиг.9).
- Выберите необходимый наконечник (15, 17, 25) или телескопическую трубку (14); присоедините к шлангу (13) и присоедините конец шланга к отверстию для высасывания электроприбора.
- Убедитесь, что выключатель (2) электроприбора установлен в положении „выключено“ (“O”) прежде чем вставить штепсель питающего кабеля в контакт.
- Вставьте штепсель в контакт.
- Включите электродвигатель (выключатель в положении “I”).
- После завершения очистки выключите электродвигатель, устанавливая выключатель (2) в положение „выключено“ (“O”).
- Вытащите штепсель из контакта.

Регулярно проверяйте мешочек для сбора пыли (24) и заменяйте его после заполнения 2/3 его объема. Мешочек для сбора пыли конструирован так, что бумага пропускает только воздух, а не пыль. По этой причине использованный мешочек нельзя употребить повторно.

ПРИМЕЧАНИЕ: Не используйте мешочек для сбора пыли при высасывании предметов с острыми кантами или мокрых предметов.

Складчатый фильтр

Когда работаете со складчатым фильтром, нет необходимости употребления мешочка для сбора пыли.

Поставьте складчатый фильтр (18) на подставку для фильтров (6) (Фиг. 16а). Закройте подставку для фильтров (6) крышкой с фиксатором и закрутите крышку подставки (Фиг. 16б). После продолжительного использования фильтр надо очистить путем встряхивания или щеткой.

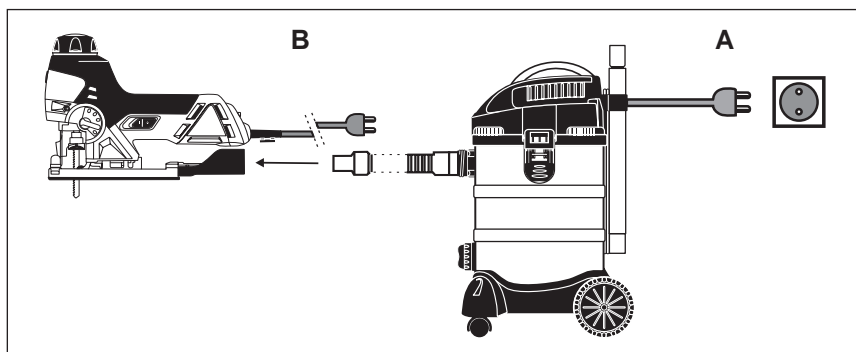
При очистке бетона или других подобных материалов, отделивающих мелкую пыль, а также при автоматическом режиме работы с электроинструментами (VC 1430MS), складчатый фильтр надо очищать щеткой или вытряхивать чаще. Это важная предпосылка для надежной работы и долговременной эксплуатации Вашего пылесоса. Если заметите, что сила высасывания снижается, или установите, что складчатый фильтр поврежден, его надо сразу заменить новым.

АВТОМАТИЧЕСКИЙ РЕЖИМ ПРИ РАБОТЕ С ЭЛЕКТРОИНСТРУМЕНТАМИ (VC 1430MS)

- Вытащите штепсель питающего кабеля пылесоса из контакта.
- Откройте застёжки и снимите крышку.
- Проверьте о том был ли контейнер (10) освобожден от пыли и мусора.
- Поставьте подходящий для выполняемой работы складчатый фильтр (18) на подставку для фильтров и закрутите крышку подставки. Верните крышку пылесоса на контейнер и закройте застёжки (Фиг.16с).
- Поставьте выключатель электроинструмента, с которым будете работать, в положение „выключено“ (“O”).
- Присоедините адаптер пылесоса (22) к пылеотводу электроинструмента (Фиг.17).
- Подключите электроинструмент к вмураванному в пылесосе контакту.
- Подключите штепсель питающего кабеля пылесоса к питающей сети.
- Поставьте выключатель пылесоса (2) в положение „включено“ (“I”).
- Поставьте выключатель для выбора режима (3) в положение “=“.
- Включите выключатель электроинструмента.

Пылесос включится автоматически в момент, в который Вы включите электроинструмент. Когда выключите электроинструмент пылесос тоже выключится через определенное время.

	A (напряжение)	B (мощность)
EU	230 V	2100 W
RU	220V	2000 W



ВЛАЖНАЯ ОЧИСТКА



ПРЕДОСТЕРЕЖЕНИЕ: Не допускается очистка вредных для здоровья веществ.

- Убедитесь, что штепсель питающего кабеля электроприбора вытасчен из контакта.
- Проверьте, был ли контейнер (10) освобожден от пыли и мусора.
- Снимите монтированный производителем складчатый фильтр (18), который не пригоден для влажной очистки.
- Снимите мешочек для сбора пыли (24) и фильтр для сухой очистки (20), если прежде того работали с ними (VC 1220M).
- Оставьте только фильтр из пенопласта (19) (Фиг.12) на подставке для фильтров.
- Поставьте обратно крышку на контейнер и закройте застёжки (Фиг.7), (Фиг.8).
- Поставьте широкий конец шланга на переднее отверстие для высасывания контейнера (Фиг.9).
- Выберите необходимый наконечник (15, 17, 25) или телескопическую трубу (14) и присоедините к шлангу (13) (Фиг.10).
- Убедитесь, что выключатель (2) электроприбора находится в положении „выключено“ (“0”) прежде чем поставить штепсель питающего кабеля в контакт.
- Поставьте штепсель питающего кабеля в контакт.
- Поставьте выключатель (2) в положение “1”, чтобы включить электродвигатель.
- После завершения влажной очистки выключите пылесос путем установления выключателя (2) в положение „выключено“ (“0”).
- Вытащите штепсель питающего кабеля из контакта.
- После завершения работы опорожните и очистите контейнер (10).

Рекомендация: Если необходимо высасывание большого количества жидкости из умывальника или резервуара, не погружайте наконечник целиком в жидкость, а оставляйте часть наконечника свободной, чтобы дать возможность высасывания воздуха вместе с жидкостью.

Электроприбор снабжен поплавком (5) (Фиг.18), который выключает пылесос, когда контейнер заполнится. Вы установите, что высасывание переустановлено по тому, что обороты электродвигателя повысятся. В этом случае выключите электроприбор и вытащите штепсель кабеля из контакта. Надо отдавать себе отчет в том, что полный контейнер может оказаться очень тяжелым.

Снимите крышечку с отверстия для выливания (21) и вылейте остаточную жидкость в подходящий сосуд или в канализацию. Поставьте обратно крышечку на отверстие для выливания, после чего можно продолжить работу.

После завершения влажной очистки выключите электроприбор и вытащите штепсель кабеля из контакта. Опорожните контейнер и очистите его внутри и снаружи перед хранением.

ВАЖНО! После влажной очистки, прежде чем перейти снова к сухой очистке, выполните требования, указанные в пункте „Сухая очистка“.

ПРИНАДЛЕЖНОСТИ

МОДЕЛЬ	VC 1220M	VC 1430MS
Шланг комплект	•	•
Пластмассовая труба из 2 частей	•	
Телескопическая труба из хромированного металла		•
Мешочек для сбора пыли	•	•
Фильтр для сухой очистки	•	
Фильтр из пенопласта	•	•
Складчатый фильтр из полиэстера		•

МОДЕЛЬ	VC 1220M	VC 1430MS
Складчатый фильтр из целлюлозы	•	
Наконечник для твердых половых покрытий	•	
Комбинированный наконечник		•
Наконечник для швов	•	•
Рукоятка с регулированием силы сосания		•
Адаптер для присоединения к электроинструментам		•
Роликовые колесики	2 маленькие + 2 большие	2 маленькие + 2 большие



ПРЕДОСТЕРЕЖЕНИЕ: Используйте только оригинальные принадлежности SPARKY. Применение неоригинальных частей или принадлежностей составляет потенциальную опасность и аннулирует гарантию.

VI - Поддержка

- Убедитесь, что штепсель питающего кабеля электроприбора вытаскен из контакта.
- Снимите шланг (13) с контейнера.
- Освободите застёжки (Фиг.1) и снимите крышку с контейнера (Фиг.2).
- Очистите тщательно контейнер и шланг от сбранного мусора и остатков.
- Очистите фильтр из пенопласта (19) путем вымывания слабым моющим препаратом.
- Проверьте шланг и присоединительные отверстия и проверьте не поврежден ли питающий кабель.
- После того, как устранили фильтр из пенопласта (19), проверьте поплавков (5). Чтобы выполнить это, схватите крышку за рукоятку и внимательно переверните его так, чтобы подставка для фильтра указывала вверх. Поплавок должен быть в состоянии двигаться свободно вверх и вниз (Фиг.18).



ПРЕДОСТЕРЕЖЕНИЕ: Не допускается употребление спирта, бензина или других растворителей. Никогда не применяйте разбавляющих препаратов для очистки пластмассовых частей.



ПРЕДОСТЕРЕЖЕНИЕ: Не допускается проникновение воды в соприкосновение с электроприбором.

ВАЖНО! Чтобы обеспечить безопасную работу с электроприбором и его надежность, все действия по ремонту, поддержке и регулировке надо выполняться в оторизованных сервисах SPARKY при применении только оригинальных запасных частей.

ВОЗМОЖНЫЕ НЕИСПРАВНОСТИ И ИХ УСТРАНЕНИЕ

Констатированная неисправность	Вероятная причина	Способ устранения
Электроприбор не работает	Отсутствует питание.	Проверьте питающее напряжение.
	Функциональный отказ в питающем кабеле, выключателе или электродвигателе.	Проверьте, отремонтируйте или замените поврежденную часть.
	Контейнер полон жидкостью.	Опорожните контейнер.
Из крышки электродвигателя выходит пыль	Отсутствует мешочек для сбора пыли или он поврежден	Поставьте мешочек для сбора пыли или замените его новым.
Низкая всасывающая мощность и высокие обороты электродвигателя /вибрации	Мешочек для сбора пыли полон.	Замените мешочек для сбора пыли.

VII - Гарантия

Срок гарантии электроприборов SPARKY указан на гарантийном талоне.

Неисправности, являющиеся следствием нормального изнашивания, перегрузки или неправильной эксплуатации, выключены из гарантийных обязательств.

Неисправности, являющиеся следствием вложения некачественных материалов и/или производственных ошибок, устраняются без дополнительной оплаты путем заменой или ремонтом.

Рекламация дефектного электроприбора SPARKY принимается тогда, когда прибор вернули поставщику или представили авторизованному гарантийному сервису в неразобранном (первоначальном) состоянии.

Примечания

Внимательно прочитайте всю инструкцию по эксплуатации перед тем, как использовать это изделие.

Производитель оставляет за собой право вводить улучшения и изменения в свои изделия и изменять спецификации без предупреждения.

Спецификации могут различаться для отдельных стран.

Зміст

I	– Вступ.....	67
II	– Технічні дані.....	69
III	– Інструкції з безпеки при роботі пилососу.....	69
IV	– Знайомство з електроприладом.....	A/70
V	– Вказівки по роботі.....	71
VI	– Підтримка.....	73
VII	– Гарантія.....	74

I - Вступ

Придбаний Вами електроприлад SPARKY перевершить усі Ваші сподівання. Пилосос виготовлено згідно з високими стандартами якості SPARKY, які враховують вимоги найвибагливіших споживачів. Обслуговування пилососу просте, а його експлуатація – безпечна. За умови правильного використання цей прилад надійно служитиме Вам довгі роки.



ПОПЕРЕДЖЕННЯ!

Перед початком використання нового електроприладу SPARKY уважно прочитайте весь текст інструкції з експлуатації. Особливу увагу зверніть на тексти, що починаються зі слова «Застереження». Ваш електроприлад SPARKY має багато особливостей, які спрощуватимуть Вашу роботу. Під час розробки цього приладу найбільше уваги приділялося його безпеці, експлуатаційним характеристикам та надійності, що спрощує його обслуговування та використання.



Не викидайте електроприлади разом із побутовими відходами!

Електроприлади, що відпрацювали свій термін експлуатації, не слід утилізувати разом із побутовими відходами. Прохання віддавати такі прилади на переробку в спеціалізовані установи. Для отримання консультації з питань переробки, звертайтеся до органів місцевої влади або їх представників.



ЗАХИСТ ДОВКІЛЛЯ

З метою захисту довкілля сам електроприлад, його комплектуючі та упаковку слід піддавати належній переробці, що дозволить повторно використовувати сировину, яка в них міститься.

З метою полегшення процедури переробки на деталі, виготовлені зі штучних матеріалів, нанесено відповідні позначки.

ОПИС СИМВОЛІВ

В таблиці з даними електроприладу є спеціальні символи. Вони є важливою інформацією про використання інструмента і його характеристики.



Подвійна ізоляція для додаткового захисту.



Електроприлад класу захисту I від ураження електричним струмом, із захисним зануленням



Пилосос для вологого прибирання.



Відповідає чинним європейським директивам



Відповідність вимогам російських нормативних документів



Відповідність вимогам українських нормативних документів



Ознайомтеся з інструкцією з експлуатації.

YYYY-Www

Термін виробництва, де змінними символами є:
YYYY - рік випуску, ww – черговий календарний тиждень

VC

ПИЛОСОС ДЛЯ ВОЛОГОГО / СУХОГО ПРИБИРАННЯ

II - Технічні дані

МОДЕЛЬ:	VC 1220M	VC 1430MS
• Споживана потужність	1250 W	1400 W
• Макс. потужність висмокткування	1500 W	1700 W
• Макс. потужність підключеного до пилососа електроінструменту	–	2000 W
• Ємність контейнера	20 l	30 l
• Матеріал контейнера	нержавіюча сталь	нержавіюча сталь
• Ємність мішечка для збору пилу	20 l	30 l
• Максимальна сила висмокткування	15 kPa	17 kPa
• Максимальний дебіт	55 l/s	57 l/s
• Дебіт згідно EN 60312	27 l/s	30 l/s
• Автоматичний режим роботи електроінструменту	ні	так
• Висмокткування рідин	так	так
• Регулювання повітряного потоку	ні	так
• Діаметр шланга	Ø36 мм	Ø36 мм
• Довжина шланга	1,5 м	2,5 м
• Довжина кабелю	4 м	7,5 м
• Радіус зони роботи	6 м	11 м
• Вага (ЕРТА процедура 01/2003)	5,8 кг	8,8 кг
• Рівень захисту	IP 24	IP 24
• Клас захисту	□ / II	⊕ / I

Рівень шуму (Показники заміряні відповідно до стандарту EN 60704):

A- зважений рівень звукового тиску L_{pA}	79 dB(A)	81 dB(A)
A- зважений рівень звукової потужності L_{wA}	93 dB(A)	95 dB(A)



Використовуйте засоби захисту від шуму!

III - Іструкції з безпеки при роботі пилососу



ЗАСТЕРЕЖЕННЯ: Цей електроприлад відповідає обов'язковим вимогам безпеки для електричних виробів. Щоб уникнути ризику поранення, користувач повинен прочитати цю інструкцію з експлуатації. Ознайомтеся з усіма інструкціями. Недотримання викладених нижче правил користування може призвести до нещасного випадку і / або зіпсування майна, та анулює гарантію.

Зберігайте ці інструкції для подальшого використання!



ЗАСТЕРЕЖЕННЯ: Переконайтеся, що напруга електромережі відповідає позначенням на табличці з технічними даними електричного інструменту.

- Електроприлад призначений для всмокткування матеріалів, які не становлять небезпеки для здоров'я і не є запалюються.
- Цей електроприлад призначений виключно і тільки для застосування в побуті і в домашній майстерні. Модель VC 1430MS також призначена для висмокткування пилу під час роботи електроінструментів.
- Не користуйтеся електроприладом під відкритим небом (якщо він категорично не призначений для роботи під відкритим небом).
- Не надавайте електроприлад нагріванню, впливу прямих сонячних променів, світла чи підвищеної вологості (наприклад дощу).
- Не занурюйте електроприлад в рідину і бережіть від гострих предметів, які можуть його зіпсувати.
- Не допускається використання електроприладу з мокрими або вологими руками. Якщо електроприлад промокне або звологіється під час роботи, негайно витягніть його штепсель з розетки. Не допускається занурення електроприладу у воду.
- При роботі пилососа у вологому середовищі використовуйте запобіжний пристрій, що приводиться в дію залишковим струмом. Використання запобіжного пристрою зменшує ризик ураження електричним струмом.
- Електроприлад можна використовувати тільки за призначенням. Будь-яке інше використання, що відрізняється від описаного в цій інструкції, вважається неправильним. Відповідальність за будь-яку поломку або поранення, зумовлені неправильним використанням, буде нести користувач, а не виробник.
- У випадку, якщо Ви не впевнені у виді електричної напруги, не вмикайте електроприлад.
- Електрична напруга вище номінальної може призвести до серйозного травмування користувача, а також до зіпсування електроприладу.
- У випадку, якщо напруга нижче номінального, електродвигун зіпсується.

- Ніколи не наближайте приєднувальні отвори електроприладу до свого лица (особливо до очей, вуха і др.) Ніколи не направляйте наконечник у бік людей або тварин.
- Перед тим, як почати роботу з електроприладом, переконайтеся, що в утримувач вставлений і правильно закріплений відповідний мішечок для збору пилу. Непридатний, або неправильно вставлений мішечок може призвести до зіпсування електроприладу, і це анулює гарантію.
- Не допускається всмоктування попелу, гарячих жаринок, великих шматків розбитого скла і гострих предметів.
- Не допускається всмоктування пилу чорнила для принтерів або копіювальних машин, так як вони є провідниками електричного струму. Крім того, фільтрувальний система пілососа не може повністю затримати чорнильний пил, що виділиться в повітря через вентилятор вихідного повітря.
- Не допускається всмоктування займистих або отруйних рідин на зразок бензину, нафти, кислот або інших летких речовин.
- Не допускається всмоктування рідин температурою вище 60° C, а також будь-якого роду отруйно-го або займистого пилу.
- Не допускається всмоктування азбесту або азбестового пилу.
- Ніколи не кладіть електроприлад на бік. Звертайте особливу увагу на горизонтальне положення і стійкість електроприладу при роботі на сходах.



ЗАСТЕРЕЖЕННЯ: Завжди вимикайте електроприлад і витягуйте штепсель з розетки після закінчення робіт, перед чищенням, заміною фільтрів чи аксесуарів, транспортуванням або консервацією. Ніколи не витягуйте штепсель, смикаючи його за кабель. Демонтуйте всі речі електроприладу перед зберіганням.

- Не допускається зберігання електроприладу безпосередньо біля джерел тепла.
- Ніколи не залишайте працюючий пілосос без нагляду. Якщо Вам знадобиться віддалитися від робочої зони, спершу вимкніть пілосос, витягніть штепсель з розетки (не смикайте за кабель, а витягуйте штепсель).
- Ніколи не використовуйте цей електроприлад, якщо перебуваєте під впливом медикаментів, алкоголю або наркотиків, а також у процесі лікування або втоми.
- Переконайтеся, що кабель розташований так, що в нього не можна спіткнутися, не допускайте дітей до електроприладів.
- Регулярно перевіряйте справність електроприладу та електричного кабелю. Не використовуйте в роботі несправні електроприлади.
- У разі пошкодження електричного кабелю, його заміну необхідно виконати в спеціалізованій майстерні SPARKY.
- Не пробуйте ремонтувати електроприлад самі. Ремонт електроприладів можуть здійснювати тільки кваліфіковані фахівці сервісу SPARKY, із застосуванням оригінальних запасних частин. Неправильний ремонт може стати причиною виникнення значної за розміром небезпеки для ко-

- ристувача.
 - Використовуйте тільки оригінальні речі SPARKY. Використання не оригінальних частин чи аксесуарів становить потенційну небезпеку і анулює гарантію.
 - Часто перевіряйте поплавков.
 - Якщо помітите витікання рідини з електроприладу, відразу вимкніть його і витягніть штепсель з розетки.
 - Не занурюйте електроприлад у воду. Перевірте наявність розлитої води на поверхні електроприладу.
 - Викидаючи рідину, що всмоктав пілосос, переконайтеся, що ваші дії відповідають положенням закону.
 - Зберігайте електроприлад тільки в надійному і сухому місці, бережіть від доступу дітей.
 - Завжди зберігайте пілосос в чистому стані. Не допускається застосування розчинників або препаратів, що містять розчинники.
- Просимо звернути особливу увагу на наведені нижче спеціальні вимоги з техніки безпеки.**

СПЕЦІАЛЬНІ ВИМОГИ ТЕХНІКИ БЕЗПЕКИ

- Не допускається всмоктування гарячого попелу і гострих предметів.
- Не допускається використання електроприладу у вологих приміщеннях.
- Не допускається використання пілососа без мішечка для пилу (за винятком випадків вологого очищення). Переконайтеся, що мішечок вставлений правильно.
- Під час роботи переконайтеся, що волосся, одяг або їх частини не будуть всмоктані пілососом.
- Тримайте пілосос далеко від джерел тепла, таких як батареї опалення, печі та інше
- Для правильної експлуатації цього електроприладу необхідно дотримувати правила техніки безпеки, загальні інструкції та перераховані тут вказівки по роботі. Усі користувачі повинні бути ознайомлені з цією інструкцією з експлуатації, і поінформовані про потенційні ризики при роботі електроприладу.
- Діти, інваліди та літні люди часто не дають собі звіт про небезпеки, що виникають під час роботи електроприладів. Не допускається використовувати електроприлад вищевказаним групам. Необхідно вживати превентивних заходів безпеки, а також дотримуватися основних правил професійного здоров'я і безпеки.
- Виробник не несе відповідальність за внесені користувачем зміни в електроприлад, або за пошкодження внаслідок таких змін.

IV - Знайомство з електроприладом

1. Рукоятка
2. Вимикач
3. Вимикач для вибору режиму (VC 1430MS)
4. Кришка
5. Поплавков
6. Підставка для фільтрів

7. Вбудований контакт (VC 1430MS)
8. 2 маленьких ролика-коліщатка
9. Застібки
10. Контейнер
11. Закріплення шлангу
12. 2 великих ролика-коліщатка
13. Шланг (комплект)
14. Труба
15. Комбінований наконечник для підлоги і килимів (VC 1430MS)
16. Отвір для повітря
17. Наконечник для швів
18. Фільтр складний
19. Фільтр з пінопласту
20. Фільтр для сухого чищення
21. Зливний отвір (VC 1430MS)
22. Адаптер (VC 1430MS)
23. Ручка з регулюванням сили всмоктування (VC 1430MS)
24. Мішечок для пилу
25. Наконечник для твердих покриттів для підлоги (VC 1220M)
26. Пристосування для прикріплення труби
27. Гвинти

РОЗПАКУВАННЯ

У відповідності із загальноприйнятими технологіями виробництва, мало ймовірно, що новопридбаний Вами електроприлад виявиться несправним, або з браком будь-якої частини. Все ж таки, у разі будь-яких невідповідностей, не використовуйте електроприлад до тих пір, поки пошкоджена частина не буде замінена або дефект не буде усунуто. Порушення цієї рекомендації може призвести до важкого трудового інциденту.

Уважно розпакуйте вміст коробки.

1. Застібки (9), що дотримуються кришку (4) поверніть вгору (мал.1).
2. Відкрийте застібки, зніміть кришку (мал.2) і вийміть вміст з контейнера.

Перевірте наявність всіх частин по вищезгаданому списку, їх збереження під час транспортування і відсутність пошкоджень.

ЗБІРКА

Переконайтеся, що штепсель виїнятий з розетки.

- Обидві застібки, що тримують кришку, поверніть вгору (мал.1).
- Звільніть застібки і підніміть кришку вгору і назовні (мал.2).
- Вставте рукоятку до зовнішній стороні кришки. Переконайтеся, що пристосування для прикріплення рукоятки монтувано в порожнини рукоятки (мал.3) правильною стороною.
- Прикріпіть рукоятку до кришки двома гвинтами. Затягніть гвинти вручну (мал.4).
- Перегорніть контейнер таким чином, щоб кришка була знизу.
- Вставте чотири роликівих коліщатка (8, 12) в пази на дні контейнера (мал. 5).
- Переконайтеся про те, що коліщатка повністю увійшли в пази.
- Закріпіть колесики іншими гвинтами.

- Затягніть гвинти вручну (мал. 6).
- Поставте фільтр, що підходить для роботи, яку будете виконувати.
- Вставте кришку назад на контейнер (мал.7).
- Вирівняйте кришку з застібками (мал.8).
- Зачепити застібки до кришки, і прищемити їх, поки почуєте характерне клацання.
- Встановіть широкий кінець шланга (13) в передній отвір для всмоктування (17).
- Виберіть відповідний наконечник (15, 17, 25) або телескопічну трубу (14) і монтуйте до шлангу (13) (мал. 10).
- Після завершення роботи та очищення електроприладу зберігайте речі, встановивши їх у відповідні пристосуванням пилососа (мал.11).

V - Вказівки по роботі

Ці електроприлади підключаються до мережі з одnofазною змінною напругою. Модель VC 1220M, з подвійною ізоляцією згідно EN 60335-1, може включатися до розетки без захисних клем. Модель VC 1430MS необхідно включати в розетки із захисними клемми.

Радіоперешкоди відповідають Директиві Європейського парламенту та Ради 2004/108/ЕС щодо електромагнітної сумісності.

Модель VC 1430MS також призначена для всмоктування пилу при роботі електроінструментів. Для цього модель VC 1430MS обладнана вбудованим електричним контактом (7), в який вставляється штепсель електричного кабелю електроінструменту. При включенні вимикача електроінструменту, пилосос включається автоматично. При виключенні електроінструменту пилосос також вимикається через певний час.

ПЕРЕД ПОЧАТКОМ РОБОТИ

- Переверте відповідність напруги електричної мережі зазначеним на табличці технічним даним електроприладу.
- Переконайтеся у справності електричного кабелю і штепселя. Якщо електричний кабель пошкоджений, його заміну повинен виконати виробник, або його сервісний спеціаліст, щоб уникнути небезпек і ризиків.
- Прочитайте, зрозумійте і виконуйте вказівки "Інструкції з техніки безпеки під час роботи пилососа".

СУХЕ ЧИЩЕННЯ



ЗАСТЕРЕЖЕННЯ: Не допускається чищення небезпечних для здоров'я речовин. Використання невідповідного мішечка для збору пилу анулює гарантію.

Переконайтеся, що електроприлад не підключений в електричну мережу.

- Уважно вийміть фільтр для сухого чищення над

підставкою для фільтрів (6).

- Перевірте, чи покриває фільтр для сухого чищення цілком підставку для фільтрів. Переконайтеся, що стягуєть кільце міцно закріплює всі кути фільтру для сухого чищення.
- Надягніть мішечок для збору пилу на отвір для шланга контейнера (мал.14). Притисніть його до звуку характерного клацання (мал.15). Коли виконете цю дію, будьте уважні, щоб не пошкодити мішечок для пилу.
- Поставте кришку назад на контейнер і закрийте застібку (мал.7). (мал.8).
- Вставте широкий кінець шланга в передній всмоктуючий отвір контейнера (мал.9).
- Виберіть необхідний наконечник (15, 17, 25) або телескопічну трубу (14); приєднайте до шлангу (13), а кінець шланга - до отвору електроприладу для висмокування.
- Переконайтеся, що вимикач (2) електроприладу встановлений в положенні "вимкнено" ("O"), перш ніж вставити штепсель електричного кабелю в розетку.
- Вставте штепсель у розетку.
- Увімкніть електродвигун (вимикач у позиції "I").
- Після завершення чистки вимкніть інструмент, встановлюючи вимикач (2) в позицію "вимкнено" ("O")
- Витягніть штепсель з розетки.

Регулярно перевіряйте мішечок для пилу (24) і міняйте його при заповнення 2 / 3 його об'єму. Конструкція мішечка для пилу дозволяє пропускати тільки повітря, а не пил. З цієї причини спожитий мішечок не можна вживати повторно.

ПРИМІТКА: Не використовуйте мішечок для пилу для висмокування предметів з гострими краями або мокрих предметів.

Складчастий фільтр

Коли працюєте з складчастим фільтром, немає необхідності в мішечку для пилу.

Вставте складчастий фільтр (18) в підставку для фільтрів (6) (мал. 16а). Закрийте підставку для фільтрів (6) кришкою з фіксатором і закрутіть кришку підставки (мал. 16б). Після тривалого використання цей фільтр необхідно очистити шляхом струшування або щіткою.

При чищенні бетону або інших подібних матеріалів, що виділяють дрібний пил, а також в автоматичному режимі роботи електроінструментів (VC 1430MS), складчастий фільтр необхідно частіше чистити щіткою або витрушувати. Це важлива передумова для надійної роботи і довготривалої експлуатації вашого пилососа. Якщо помітите, що сила всмоктування знижується, або встановили, що складної фільтр пошкоджений, його необхідно негайно замінити новим.

АВТОМАТИЧНИЙ РЕЖИМ РОБОТИ ЕЛЕКТРОПРИЛАДІВ (VC 1430MS)

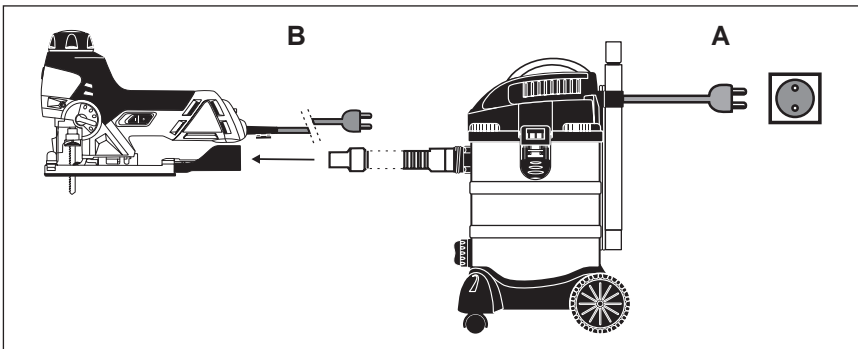
- Витягніть штепсель електричного кабелю пилососа з розетки.
- Відкрийте застібки і зніміть кришку.
- Перевірте, чи почищений контейнер (10) від пилу та сміття.
- Вставте відповідний для виконуваної роботи складчастий фільтр (18) на підставку для фільтрів і закрутіть кришку підставки. Поверніть кришку пилососа на контейнер і закрийте застібки (мал.16с)
- Поставте вимикач використовуваного електроінструменту в позицію "вимкнено" ("O").
- Приєднайте адаптер пилососа (22) до пристрою для виведення пилу цього електроінструмента (мал.17).
- Увімкніть електроприлад у вбудований в пилосос контакт.
- Увімкніть штепсель електричного кабелю пилососа в електричну розетку.
- Вставте вимикач пилососа (2) в положення "включено" ("I").

Вставте вимикач вибору режиму (3) в положення "=".

Увімкніть вимикач електроінструменту.

Пилосос автоматично включається в момент, в який ви включите електроінструмент. Після вимкнення електроприладу, пилосос теж вимикається через певний час.

	A (напруга)	B (потужність)
EU	230 V	2100 W
RU	220V	2000 W



ВОЛОГЕ ЧИЩЕННЯ (ПРИБИРАННЯ)



ЗАСТЕРЕЖЕННЯ: Не допускається чищення шкідливих для здоров'я речовин.

- Переконайтеся, що штепсель електричного кабелю електроприладу вийнятий з розетки.
- Перевірте, чи почищений контейнер (10) від пилу та сміття.
- Видаліть монтований виробником складчастий фільтр (18), який не придатний для вологого очищення.
- Видаліть мішечок для пилу (24) і фільтр для сухого очищення (20), якщо раніше цього працювали з ними (VC 1220M).
- Залиште тільки фільтр з пінопласту (19) (мал.12) на підставці для фільтрів.
- Поверніть кришку назад на контейнер, закрийте застібки (мал.7), (мал.8).
- Вставте широкий кінець шланга в передній отвір контейнеру для всмоктування (мал.9).
- Виберіть необхідний наконечник (15, 17, 25) або телескопічну трубу (14) і приєднайте до шлангу (13) (мал.10).
- Переконайтеся, що вимикач (2) електроприладу знаходиться в положенні "вимкнено" ("O"), перш ніж вставити штепсель електричного кабелю в розетку.
- Вставте штепсель електричного кабелю в розетку.
- Встановіть вимикач (2) в положення "I", щоб включити електродвигун.
- Після закінчення вологого чищення вимкніть пілосос, повернувши вимикач (2) в позицію "вимкнено" ("O").
- Витягніть штепсель з розетки.
- Після завершення робіт спорожніть і очистіть контейнер (10).

Рекомендація: Якщо необхідне всмоктування великої кількості рідини з умивальника або резервуара, не занурюйте наконечник цілком у рідину, а залишайте частину наконечника вільною, щоб забезпечити всмоктування повітря разом з рідиною. Електроприлад забезпечений поплавцем (5) (мал.18), що виключає пілосос, коли контейнер заповниться. Сигналом припинення всмоктування є прискорені обертоти електродвигуна. У цьому випадку негайно вимкніть електроприлад і витягніть штепсель з розетки. Не забувайте, що заповнений контейнер може виявитися дуже важким. Зніміть кришку зі зливного отвору (21) і вилийте рідину у відповідний посуд або в каналізацію. Поверніть назад кришку зливного отвору на її місце, після чого можете продовжити роботу.

Після завершення вологого чищення вимкніть електроприлад і вийміть його штепсель з розетки. Спорожніть контейнер і очистіть його всередині і зовні перед зберіганням.

УВАГА! Після вологого чищення, перш ніж перейти знову до сухої очистки, виконайте вимоги, зазначені в розділі "Суха чистка".

ПРИНАЛЕЖНОСТІ

МОДЕЛЬ	VC 1220M	VC 1430MS
Шланг комплект	•	•
Пластикова труба з 2 частин	•	
Телескопічна труба з хромованого металу		•
Мішечок для пилу	•	•
Фільтр для сухого чищення	•	
Фільтр з пінопласту	•	•
Складчастий фільтр з поліестеру		•
Складчастий фільтр із целюлози	•	
Наконечник для твердих покриттів для підлоги	•	
Комбінований наконечник		•
Наконечник для швів	•	•
Ручка з регульованим сили всмоктування		•
Адаптер для підключення до електроінструменту		•
Роликові коліщата	2 маленькі + 2 великі	2 маленькі + 2 великі



ЗАСТЕРЕЖЕННЯ: Використовуйте тільки оригінальні речі SPARKY. Застосування не оригінальних частин чи аксесуарів містить потенційну небезпеку та анулює гарантію.

VI - Підтримка

- Переконайтеся в тому, що штепсель електричного кабелю електроприладу витягнутий з розетки.
- Зніміть шланг (13) з контейнера.
- Звільніть застібки (мал.1) і зніміть кришку контейнера (мал.2).
- Очистіть ретельно контейнер і шланг від сміття і залишків.
- Очистіть фільтр з пінопласту (19), промив його слабким миючим засобом.
- Перевірте шланг і приєднувальні отвори, і перевірте електричний кабель на наявність пошкоджень.
- Усунувши фільтр з пінопласту (19), перевірте стан поплавка (5). Для цього візьміть кришку за ручку, і уважно переверніть так, щоб підставка для фільтра дивилася вгору. Поплавок повинен вільно рухатися вгору і вниз (мал.18).



ЗАСТЕРЕЖЕННЯ: Не допускається вживання спирту, бензину або інших розчинників. Ніколи не застосовуйте роз'їдаючі препарати для чищення пластмасових частин.



ЗАСТЕРЕЖЕННЯ: Не допускається проникнення води в електроприлад.

УВАГА! Щоб забезпечити безпечну роботу електроприладу і його надійність, всі дії з ремонту, підтримки і регулювання необхідно виконувати в спеціалізованих майстернях SPARKY, використовуючи лише оригінальні запасні частини.

МОЖЛИВІ НЕСПРАВНОСТІ ТА ЇХ УСУНЕННЯ

Констатована несправність	Ймовірна причина	Спосіб усунення
Електроприлад не працює	Відсутнє електричне живлення	Перевірити наявність електричної напруги
	Функціональна відмова електричного кабелю, вимикача або електродвигуна	Перевірте, відремонтуйте або замініть пошкоджену частину
	Контейнер заповнений рідиною	Спорожніть контейнер
З кришки електродвигуна виходить пил	Відсутній мішечок для пилу, або він пошкоджений.	Вставте мішечок для пилу, або замініть його новим
Низька всмоктувальна потужність і високі обороти електродвигуна / вібрації	Мішечок для пилу заповнений	Замініть мішечок для пилу

VII - Гарантія

Термін гарантії електроприладів SPARKY вказаний в гарантійному талоні.

Несправності, що є наслідком нормального зносу, перевантаження або неправильного користування, виключені з гарантійних зобов'язань.

Несправності, що є наслідком вкладення неякісних матеріалів в інструмент, та/або виробничих помилок, усуваються без додаткової оплати шляхом заміни або ремонту.

Рекламація дефектного електроприладу SPARKY приймається за умови повернення приладу постачальнику, або в спеціалізовану гарантійну майстерню в не розібраному (початковому) стані.

Примітки

Уважно прочитайте весь текст даної інструкції з експлуатації, перш ніж використовувати цей виріб. Виробник залишає за собою право вносити поліпшення і зміни в свої вироби, і змінювати специфікації без попередження.

СПЕЦИФІКАЦІЇ МОЖУТЬ РОЗРІЗНЯТИСЯ ДЛЯ ОКРЕМИХ КРАЇН!

Съдържание

I	- Въведение	75
II	- Технически данни	77
III	- Инструкции за безопасност при работа с прахосмукачки	77
IV	- Запознаване с електроуредта	A/79
V	- Указания за работа	79
VI	- Поддръжка	82
VII	- Гаранция	83

I - Въведение

Новопридобитият от Вас електроуред SPARKY ще надхвърли Вашите очаквания. Той е произведен в съответствие с високите стандарти на качеството на SPARKY, отговарящи на строгите изисквания на потребителя. Лесен за обслужване и безопасен при експлоатация, при правилна употреба този електроуред ще Ви служи надеждно дълги години.



ПРЕДУПРЕЖДЕНИЕ!

Внимателно прочетете цялата инструкция за експлоатация преди да използвате новопридобития си електроуред SPARKY. Обърнете специално внимание на текстовете, които започват с думата **“Предупреждение”**. Вашият електроуред SPARKY притежава много качества, които ще улеснят Вашата работа. При разработката на този електроуред най-голямо внимание е обърнато на безопасността, експлоатационните качества и надеждността, които го правят лесен за поддръжка и експлоатация.



Не изхвърляйте електроуреди заедно с битовите отпадъци!

Отпадъците от електрически изделия не трябва да се събират заедно с битовите отпадъци. Моля, рециклирайте на местата, предназначени за това. Свържете се с местните власти или представителя за консултация относно рециклирането.



ОПАЗВАНЕ НА ОКОЛНАТА СРЕДА

С оглед опазване на околната среда електроуредът, принадлежностите и опаковката трябва да бъдат подложени на подходяща преработка за повторно използване на съдържащите се в тях суровини. За облекчаване на рециклирането детайлите, произведени от изкуствени материали, са обозначени по съответния начин.

ОПИСАНИЕ НА СИМВОЛИТЕ

Върху табелката с данни на електроуредта са означени специални символи. Те предоставят важна информация за изделието или инструкции за неговото ползване.



Двойна изолация за допълнителна защита.



Електроуред с клас I на защита от електрически ток – със защитно зануляване.



Праховсмукачка за мокро почистване



Съответства на приложимите европейски директиви.



Съответства на изискванията на руските нормативни документи.



Съответства на изискванията на украинските нормативни документи



Запознайте се с инструкцията за експлоатация

YYYY-Www

Период на производство, където променливи символи са:

YYYY - година на производство, ww - поредна календарна седмица

VC

ПРАХОСМУКАЧКА ЗА МОКРО / СУХО ПОЧИСТВАНЕ

II - Технически данни

МОДЕЛ: VC 1220M	VC 1430MS	
• Консумирана мощност	1250 W	1400 W
• Макс. мощност на засмукване	1500 W	1700 W
• Макс. мощност на включен към прахосмукачката електроинструмент	–	2000 W
• Вместимост на контейнера	20 l	30 l
• Материал на контейнера	неръждаема стомана	неръждаема стомана
• Вместимост на торбичката за прах	20 l	30 l
• Максимална сила на засмукване	15 kPa	17 kPa
• Максимален дебит	55 l/s	57 l/s
• Дебит съгласно EN 60312	27 l/s	30 l/s
• Автоматичен режим за работа с електроинструменти	не	да
• Изсмукване на течности	да	да
• Регулиране на въздушния поток	не	да
• Диаметър на маркуча	Ø32 mm	Ø32 mm
• Дължина на маркуча	1,5 m	2,5 m
• Дължина на кабела	4 m	7,5 m
• Радиус на зоната за работа	6 m	11 m
• Тегло (ЕРТА процедура 1/2003)	5,8 kg	8,8 kg
• Степен на защита	IP 24	IP 24
• Клас на защита	□ / II	⊕ / I
• Излъчване на шум (стойностите са измерени съгласно EN 60704):		
A-претеглено ниво на звуково налягане L_{pa}	79 dB(A)	81 dB(A)
A-претеглено ниво на звукова мощност L_{WA}	93 dB(A)	95 dB(A)



Използвайте средства за защита от шума!

III - Инструкции за безопасност при работа с прахосмукачки



ПРЕДУПРЕЖДЕНИЕ: Този електроуред отговаря на задължителните наредби по безопасност за електрически изделия. За да се избегне рискът от нараняване, потребителят трябва да прочете инструкцията за експлоатация. Да се четат всички инструкции. Неспазването на изброените по-долу инструкции може да предизвика злополука и/или повреда на имущество и ще анулира гаранцията.

Съхранявайте тези инструкции за по-нататъшна употреба!



ПРЕДУПРЕЖДЕНИЕ: Проверете дали напрежението на електрическата мрежа отговаря на това, означено върху табелката с технически данни на електроуредата.

- В случай, че не сте сигурни какво е напрежението, не включвайте електроуредата.
- Захранващо напрежение, по-високо от номиналното, може да предизвика сериозни травми на потребителя, както и повреда на електроуредата.

- В случай, че напрежението е по-ниско от номиналното, електродвигателят ще се повреди.
- Електроуредът е предназначен за изсмукване на материали, които не представляват опасност за здравето и не са запалими.
- Този електроуред е предназначен изключително и само за употреба в бита и в домашната работилница. Модел VC 1430MS е предназначен и за изсмукване на праха при работа с електроинструменти.
- Не използвайте електроуредата на открито (освен ако не е изрично предназначен за работа на открито).
- Не подлагайте електроуредата на действието на топлина, директна слънчева светлина или повишена влажност (например дъжд).
- Не потапяйте електроуредата в течност и го пазете от остри ръбове, които могат да го повредят.
- Не се допуска работа с електроуредата с мокри или влажни ръце. Ако електроуредът се намокри или навлажни по време на работа, веднага извадете щепсела от контакта. Не се допуска потапяне на електроуредата във вода.
- При работа с прахосмукачката във влажна околна среда използвайте предпазно устройство, задействано от остатъчен ток, за прекъсване на захранването. Използването на предпазно устройство намалява риска от поражение от електрически ток.
- Електроуредът трябва да се използва само по предназначение. Всякаква друга употреба, раз-

ливаваща се от описаната в тази инструкция, ще се счита за неправилна употреба. Отговорността за всякаква повреда или нараняване, произтичащи от неправилна употреба, ще се носи от потребителя, а не от производителя.

- Никога не дръжте присъединителните отвори на електроуредта пред лицето си (особено към очите, ушите и пр.). Никога не насочвайте найкрайника към хора или животни.
- Преди да започнете работа с електроуредта се убедете, че в държача е поставена и правилно закрепена подходяща торбичка за прах. Неподходяща или неправилно закрепена торбичка за прах може да предизвика повреда на електроуредта и това ще анулира гаранцията.
- Не се допуска изсмукване на пепел, горещи въглени и др., едри парчета строшено стъкло и остри предмети.
- Не се допуска изсмукване на прах от тонер за принтер или ксерокс, тъй като тонерът е електропроводим материал. Освен това е възможно прахът от тонер да не може напълно да се задържи от филтриращата система на прахосмукачката за мокро/сухо почистване и да се отдели във въздуха през вентилатора за изходящ въздух.
- Не се допуска почистване на възпламеними или отровни течности като бензин, нефт, киселини или други летливи вещества.
- Не се допуска изсмукване на течности с температура над 60°C, както и на всякакъв вид отровен или възпламеним прах.
- Не се допуска почистване на азбест или прах от азбест.
- Никога не поставяйте електроуредта полегнал настрана. Обръщайте особено внимание на хоризонталното положение и устойчивостта на електроуредта при работа на стълбище.



ПРЕДУПРЕЖДЕНИЕ: Винаги изключвайте електроуредта и изваждайте щепсела от контакта след приключване на работа, преди почистване, смяна на филтри и принадлежности, пренасяне или консервация. Никога не изваждайте щепсела като дърпате кабела. Демонтирайте всички принадлежности от електроуредта преди съхранение.

- Не се допуска съхраняване на електроуредта в непосредствена близост до източници на топлина.
- Никога не оставяйте работеща прахосмукачка без надзор. Ако трябва да се отдалечите от работната зона, първо изключете прахосмукачката или извадете щепсела от контакта (не издърпайте кабела, а изваждайте щепсела).
- Никога не работете с електроуредта ако сте под влияние на медикаменти, алкохол или наркотици, ако сте подложени на лечение или сте уморени.
- Убедете се че кабелът е разположен така, че в него да не може да се спъват и не допускате възможността за достъп на деца до електроуредта.

- Редовно проверявайте изправността на електроуредта и ذخарнаващия кабел. Не работете с неправилни електроуреди.
- Ако ذخарнаващият кабел е повреден, замената трябва да се извърши в оторизиран сервиз на SPARKY.
- Не се опитвайте да ремонтирате електроуредта сами. Ремонтът на тези електроуреди може да се извършва само от квалифицирани специалисти в оторизираните сервиси на SPARKY при употреба на оригинални резервни части. Неправилният ремонт може да стане причина за възникване на значителна опасност за потребителя.
- Използвайте само оригинални принадлежности SPARKY. Употребата на неоригинални части или принадлежности представлява потенциална опасност и анулира гаранцията.
- Често проверявайте поплавяка.
- Ако забележите изтичане на течност от електроуредта, веднага го изключете и извадете щепсела от контакта.
- Не поставяйте електроуредта във вода. Проверете дали върху електроуредта няма разляна вода.
- Когато изхвърляте изсмуканата вода се убедете, че спазвате законовите разпоредби.
- Съхранявайте електроуредта само на надеждно и сухо място, извън достъпа на деца.
- Винаги поддържайте прахосмукачката чиста. Не се допуска употреба на разтворители или почистващи препарати, съдържащи разтворители.

Моля обърнете особено внимание на долу посочените специални изисквания за безопасност.

СПЕЦИАЛНИ ИЗИСКВАНИЯ ЗА БЕЗОПАСНОСТ

- Не се допуска изсмукване на гореща пепел и предмети с остри ръбове или краища.
- Не се допуска работа с електроуредта във влажни помещения.
- Не се допуска работа с прахосмукачка без торбичка за прах (освен при мокро почистване). Убедете се че торбичката за прах е правилно поставена.
- По време на работа се убедете че косата, дрехите или части от тях няма да бъдат засмукани.
- Пазете прахосмукачката от източници на топлина като от радиатори, фурни и др.
- За да експлоатирате правилно този електроуред, трябва да съблюдавате правилата за безопасност, общите инструкции и указанията за работа, посочени тук. Всички потребители трябва да са запознати с тази инструкция за експлоатация и информирани за потенциалните рискове при работата с електроуредта.
- Децата, инвалидите и възрастните хора често не си дават сметка за опасностите, произлизащи от работата с електроуреди. Не се допуска работа с електроуреди на горепосочените групи. Задължително е да предприемете и превантивни мерки за безопасност. Същото се отнася и за спазването на основните правила за професионалното здраве и безопасност.
- Производителят не носи отговорност за извър-

шени от потребителя промени върху електроуредта или за повреди, предизвикани от подобни промени.

- Електроуредът е предназначен за работа в помещението и зони с нормална пожарна опасност съгласно "Наредба №2 "Противопожарни строително-технически норми". Не се допуска използването му във взривоопасна и пожароопасна среда, при температура на околния въздух над 40°C, в особено влажна среда, при наличие на валежи и в химически активна среда. Работното място трябва да е добре осветено.

IV - Запознаване с електроуредта

1. Ръкохватка
2. Прекъсвач
3. Прекъсвач за избор на режим (VC 1430MS)
4. Капак
5. Поплавък
6. Поставка за филтри
7. Вграден контакт (VC 1430MS)
8. 2 малки ролкови колелца
9. Закопчалки
10. Контейнер
11. Закрепване на маркуча
12. 2 големи ролкови колелца
13. Маркуч комплект
14. Телескопична тръба
15. Комбиниран накрайник за подове и килими (VC 1430MS)
16. Отвор за нагнетяване на въздух
17. Тесен накрайник за цепнатини и фуги
18. Нагънат филтър
19. Филтър от пенопласт
20. Филтър за сухо почистване
21. Отвор за източване (VC 1430MS)
22. Адаптер (VC 1430MS)
23. Ръкохватка с регулиране на силата на засмукване (VC 1430MS)
24. Торбичка за прах
25. Накрайник за твърди подови настилки (VC 1220M)
26. Приспособление за закрепване на телескопичната тръба
27. Винтове

РАЗПАКОВАНЕ

В съответствие с общоприетите технологии на производство е малко вероятно новопридобитият от Вас електроуред да е неизправен или някоя от частите му да липсва. Ако забележите, че нещо не е наред, не работете с електроуредта докато повредената част не бъде заменена или дефектът не бъде отстранен. Неизпълнението на тази препоръка може да доведе до сериозна трудова злополука. Внимателно разпаковайте съдържанието на кутията.

1. Хванете двете закопчалки (9) , придържащи капака (4) и ги сгънете нагоре (Фиг. 1).

2. Разхлабете закопчалките, свалете капака (Фиг. 2) и извадете съдържанието от контейнера.

Моля проверете наличието на всички части по горния списък, за да се уверите че са налице, както и че по време на транспортирането не са настъпили повреди.

СГЛОБЯВАНЕ

- Уверете се че щепселът е изваден от контакта.
- Хванете двете закопчалки, придържащи капака и ги сгънете нагоре (Фиг. 1).
- Освободете закопчалките и повдигнете капака нагоре и навън (Фиг. 2).
- Поставете ръкохватката върху капака откъм горната страна. Уверете се че приспособлението за закрепване на ръкохватката е поставено в гнездото за ръкохватката (Фиг. 3) откъм правилната страна.
- Закрепете ръкохватката към капака с двата винта. Затегнете винтовете на ръка (Фиг.4).
- Обърнете контейнера на обратната страна, така че капакът да бъде отдолу.
- Поставете четирите ролкови колелца (8 и 12) в жлебовете на дъното на контейнера (Фиг. 5).
- Проверете дали колелцата са влезли докрай в жлебовете.
- Закрепете колелцата с останалите винтове.
- Затегнете винтовете на ръка (Фиг. 6).
- Поставете филтър, подходящ за работата, която ще извършвате.
- Поставете обратно капака върху контейнера (Фиг.7).
- Подравнете капака със закопчалките (Фиг.8).
- Закачете закопчалките към капака и ги притиснете надолу докато се чуе прищракване.
- Поставете широкия край на маркуча (13) върху предния всмукателен отвор на контейнера.
- Изберете подходящ накрайник (15, 17, 25) или телескопичната тръба (14) и ги поставете на маркуча (13) (Фиг. 10).
- След приключване на работа и почистване на електроуредта, съхранявайте принадлежностите, като ги поставете към съответните им закрепващи приспособления на прахосмукачката (Фиг. 11).

V - Указания за работа

Тези електроуреди се захранват от еднофазно променливо напрежение. Модел VC 1220M е с двойна изолация съгласно EN 60335-1 и може да се присъединява към контакти без защитни клеми. Модел VC 1430MS трябва да се присъединява към контакти със защитни клеми.

Радиосмущенията съответстват на Директивата за електромагнитна съвместимост 2004/108/ЕС.

Модел VC 1430MS е предназначен и за изсмукване на праха при работа с електроинструменти. За целта модел VC 1430MS има вграден ел. контакт (7), в който се поставя щепсела на захранващия кабел на електроинструмента. При включване на

прекъсвача на електроинструмента прахосмукачката се включва автоматично. При изключване на електроинструмента, прахосмукачката също изключва след определено време.

ПРЕДИ ДА ЗАПОЧНЕТЕ РАБОТА

- Проверете дали напрежението на електрическата мрежа отговаря на това, означено върху табелката с технически данни на електроуреда.
- Убедете се в изправността на хранващия кабел и щепсел. Ако хранващият кабел е повреден, замяната трябва да се извърши от производителя или от негов сервизен специалист, за да се избегнат опасностите от замяната.
- Прочетете, разберете и спазвайте указанията в точка "Инструкции за безопасност при работа с прахосмукачки".

СУХО ПОЧИСТВАНЕ



ПРЕДУПРЕЖДЕНИЕ: Не се допуска почистване на вредни за здравето вещества.

Използването на неподходяща торбичка за прах анулира гаранцията.

- Убедете се, че електроуредът не е включен в хранващата мрежа.
- Внимателно издърпайте филтъра за сухо почистване (20) над поставката за филтри (6) (Фиг. 13).
- Поставете притягащия пръстен (8) върху филтъра за сухо почистване и го натиснете надолу до реборда на капака (Фиг. 13).
- Проверете дали филтърът за сухо почистване покрива изцяло поставката за филтри. Уверете се притягащия пръстен здраво закрепва всички ъгли на филтъра за сухо почистване.
- Нахлузете торбичката за прах върху отвора за присъединяване на маркуча на контейнера (Фиг. 14). Притиснете я докато влезе с щракване (Фиг. 15). Докато извършвате това действие, внимавайте да не повредите торбичката за прах.
- Поставете отново капака върху контейнера и затворете закопчалките (Фиг. 7), (Фиг. 8).
- Поставете широкия край на маркуча върху предния всмукателен отвор на контейнера (Фиг. 9).
- Изберете необходимия крайник (15,17,25) или телескопичната тръба (14); свържете към маркуча (13) и свържете края на маркуча към всмукателния отвор на електроуреда.
- Уверете се че прекъсвачът (2) на електроуреда е в изключено положение "0" преди да поставите щепсела на хранващия кабел в контакта.
- Поставете щепсела в контакта.
- Включете електродвигателя (прекъсвачът е в положение "I").
- След като приключите с почистването, изключете електродвигателя като поставите прекъсвача (2) в изключено положение "0".
- Извадете щепсела от контакта.

Редовно проверявайте торбичката за прах (24) и я подменяйте когато се напълни до 2/3 от обема си. Торбичката е конструирана така че хартията да про-

пуска само въздух, а не прах.

По тази причина употребявана торбичка не може да се използва повторно.

ЗАБЕЛЕЖКА: Не използвайте торбичката за прах при изсмукване на предмети с остри ръбове или мокри предмети.

Нагънат филтър

Когато работите с нагънат филтър, не е необходимо да се поставя торбичката за прах.

Поставете нагънатия филтър (18) върху поставката за филтри (6) (Фиг. 16a). Затворете поставката за филтри (6) с фиксиращата капачка като я завиеете (Фиг. 16b). След продължителна употреба, филтърът трябва да се почисти посредством потупване или изчеткване.

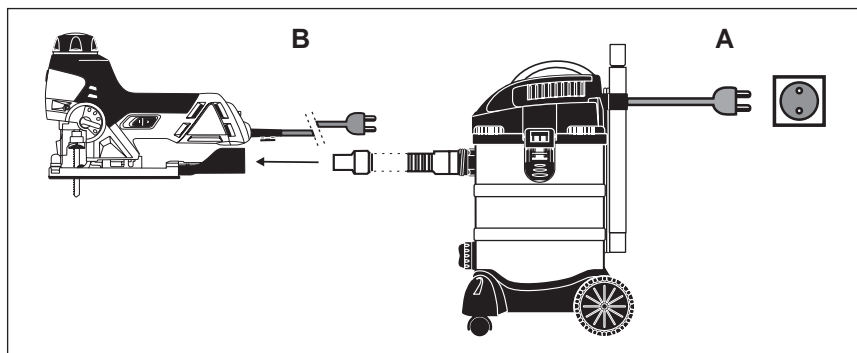
При почистване на бетон или други подобни материали, отделящи ситен прах, както и в автоматичен режим при работа с електроинструменти (VC 1430MS), нагънатият филтър трябва да се изчетква и изтръсква по-често. Това е важна предпоставка за надеждната работа и дълготрайната експлоатация на Вашата прахосмукачка. Ако забележите, че силата на засмукване намалява, или ако констатирате, че нагънатият филтър е повреден, трябва незабавно да го подмените с нов.

АВТОМАТИЧЕН РЕЖИМ ПРИ РАБОТА С ЕЛЕКТРОИНСТРУМЕНТИ (VC 1430MS)

- Извадете щепсела на хранващия кабел на прахосмукачката от контакта.
- Отворете закопчалките и свалете капака.
- Проверете дали контейнерът (10) е изпразнен от праха и сметта.
- Поставете нагънат филтър (18), подходящ за извършваната работа, в поставката за филтри и завийте капачката върху поставката. Поставете отново капака на прахосмукачката върху контейнера и затворете закопчалките (Фиг. 16c).
- Поставете прекъсвача на електроинструмента, с който ще работите, в изключено положение "0".
- Свържете адаптера на прахосмукачката (22) към прахоотвеждането на електроинструмента (Фиг. 17).
- Свържете електроинструмента към вградения в прахосмукачката контакт.
- Включете щепсела на хранващия кабел на прахосмукачката в хранващата мрежа.
- Поставете прекъсвача на прахосмукачката (2) във включено положение "I".
- Поставете прекъсвача за избор на режим (3) в положение "=".
- Включете прекъсвача на електроинструмента.

Прахосмукачката ще се включи автоматично в момента, в който включите електроинструмента. Когато изключите електроинструмента, прахосмукачката също ще се изключи след определено време.

	A (напрежение)	B (мощност)
EU	230 V	2100 W
RU	220V	2000 W



МОКРО ПОЧИСТВАНЕ



ПРЕДУПРЕЖДЕНИЕ: Не се допуска почистване на вредни за здравето вещества.

- Уверете се, че щепселът на захранващия кабел на електроуреда е изваден от контакта.
- Проверете дали контейнерът (10) е изпразнен от праха и сметта.
- Свалете фабрично монтирания нагънат филтър (18), който не е подходящ за мокро почистване.
- Свалете торбичката за прах (24) и филтъра за сухо почистване (20) ако преди това сте работили с тях (VC 1220M).
- Оставете само филтъра от пенопласт (19) (Фиг. 12) върху поставката за филтри.
- Поставете обратно капака върху контейнера и затворете закопчалките (Фиг. 7), (Фиг. 8).
- Поставете широкия край на маркуча върху предния всмукателен отвор на контейнера (Фиг. 9).
- Изберете необходимия накрайник (15, 17, 25) или телескопичната тръба (14) и поставете в маркуча (13), (Фиг. 10).
- Уверете се, че прекъсвачът (2) на електроуреда се намира в изключено положение "О" преди да поставите щепсела на захранващия кабел в контакта.
- Поставете щепсела на захранващия кабел в контакта.
- Поставете прекъсвача (2) в положение "I", за да включите електродвигателя.
- Когато приключите с мокрото почистване, изключете прахосмукачката като поставите прекъсвача (2) в изключено положение "О".
- Извадете щепсела на захранващия кабел от контакта.
- След приключване на работа изпразнете и почистете контейнера (10).

Препоръка: Ако е необходимо да се изсмуче голямо количество течност от мивка или резервоар, не поставяйте целия накрайник в течността, а оставете част от накрайника свободна, за да осигурите засмукване на въздух заедно с течността.

Електроуредът е снабден с поплавък (5) (Фиг. 18), който изключва прахосмукачката, когато контейнерът се напълни. Ще разберете че изсмукването е преустановено по това, че оборотите на електродвигателя ще се повишат. В този случай изключете електроуреда и извадете щепсела на кабела от контакта.

Трябва да си давате сметка, че пълният контейнер може да се окаже много тежък.

Свалете капачката от отвора за източване (21) и изсипете останалата течност в подходящ съд или в канализацията. Поставете обратно капачката на отвора за източване, след което можете да продължите работата.

След приключване на мокрото почистване, изключете електроуреда и извадете щепсела на кабела от контакта. Изпразнете контейнера и го почистете/подсушете от вътре и отвън преди съхранение.

ВАЖНО! След мокро почистване, преди да преминете отново към сухо почистване, изпълнете изсукванията, посочени в точка "Сухо почистване".

ПРИНАДЛЕЖНОСТИ

МОДЕЛ	VC 1220M	VC 1430MS
Маркуч комплект	•	•
Пластмасова тръба от 2 части	•	
Телескопична тръба от хромиран метал		•
Торбичка за прах	•	•
Филтър за сухо почистване	•	
Филтър от пенопласт	•	•
Нагънат филтър от полиестер		•
Нагънат филтър от целулоза	•	

МОДЕЛ	VC 1220M	VC 1430MS
Накрайник за твърди подови настилки	•	
Комбиниран накрайник		•
Накрайник за фуги	•	•
Ръкохватка с регулиране на силата на засмукване		•
Адаптер за присъединяване към електроинс-трumenti		•
Ролкови колелца	2 малки + 2 големи	2 малки + 2 големи



ПРЕДУПРЕЖДЕНИЕ: Използвайте само оригинални принадлежности SPARKY. Употребата на неоригинални части или принадлежности представлява потенциална опасност и анулира гаранцията.

VI - Поддръжка

- Уверете се, че щепселът на захранващия кабел на електроуредата е изваден от контакта.
- Извадете маркуча (13) от контейнера.
- Освободете закопчалките (Фиг. 1) и свалете капака от контейнера (Фиг. 2).
- Почистете основно контейнера и маркуча от събраната смет и остатъците.
- Почистете филтъра от пенопласт (19) като го измиете със слаб препарат за миене.
- Проверете маркуча и присъединителните отвори и проверете дали захранващият кабел не е повреден.
- След като отстраните филтъра от пенопласт (19), проверете поплавъка (5). За да извършите това, хванете капака за ръкохватката и внимателно го обърнете, така че поставката за филтъра да сочи нагоре. Поплавъкът трябва да може да се движи свободно нагоре и надолу (Фиг. 18).



ПРЕДУПРЕЖДЕНИЕ: Не се допуска употребата на спирт, бензин или други разтворители. Никога не използвайте разяждащи препарати за почистване на пластмасовите части.



ПРЕДУПРЕЖДЕНИЕ: Не се допуска влизането на вода в контакт с електроуредата.

ВАЖНО! За да се осигури безопасната работа с електроуредата и неговата надеждност, всички дейности по ремонта, поддръжката и регулирането трябва да се извършват в оторизираните сервиси на SPARKY с използване само на оригинални резервни части.

ВЪЗМОЖНИ НЕИЗПРАВНОСТИ И ТЯХНОТО ОТСТРАНЯВАНЕ

Констатирана неизправност	Вероятна причина	Начин за отстраняване
Електроуредът не работи	Липсва захранване.	Проверете захранващото напрежение.
	Функционален отказ в захранващия кабел, прекъсвача или електродвигателя.	Проверете, ремонтирайте или подменете повредената част.
	Контейнерът е пълен с течност.	Изпразнете контейнера.
От капака на електродвигателя излиза прах	Липсва или е повредена торбичката за прах.	Поставете торбичка за прах или я подменете с нова.
Ниска засмукваща мощност и високи обороти на електродвигателя / вибрации	Торбичката за прах е пълна.	Подменете торбичката за прах.

VII - Гаранция

Гаранционният срок на електроуредите SPARKY се определя в гаранционна карта.

Неизправности, появили се в следствие на естествено износване, претоварване или неправилна експлоатация, се изключват от гаранционните задължения.

Неизправности, появили се в следствие на влагане на некачествени материали и/или производствени грешки, се отстраняват без допълнително заплащане чрез замяна или ремонт.

Рекламация на дефектирал електроуред SPARKY се признава, когато се върне на доставчика или се представи на оторизиран гаранционен сервиз в неразглобено (първоначално) състояние.

Забележки

Внимателно прочетете цялата инструкция за използване преди да използвате това изделие.

Производителят си запазва правото да въвежда подобрения и промени в своите изделия и да променя спецификациите без предупреждение.

Спецификациите могат да се различават за отделните страни.

